

# K-SCHL-AUFROLLER LUFT H

Hose reels for compressed air, high flow capacity

**HANSA FLEX**

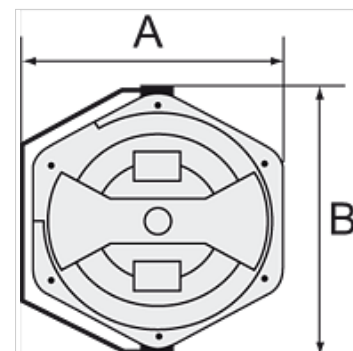
## Caractéristiques

**Matériau du tuyau** Braided polyurethane

**Pression de service** maxi 12 bar

**Température de service** -20 °C to +60 °C

**Angle de pivotement** 300°



## Remarque

Autres informations sur demande.

## Description

Specially designed to ensure a high flow capacity. Easy mounting on the wall or ceiling. Closed, rugged, impact-resistant housing made of POM, supply/outlet R 1/4 male thread and lightweight, hard-wearing, oil-resistant polyurethane hose. Incl. 2 m feeder hose.

## Article

Désignation	Dimension de tuyau	A (mm)	B (mm)	Longueur de tuyau (m)
K- 07 10 06 14	16 mm x 11 mm	394,5	436,0	10