

K-SCHL-AUFROLLER WASSER

Hose reels for water

HANSA FLEX

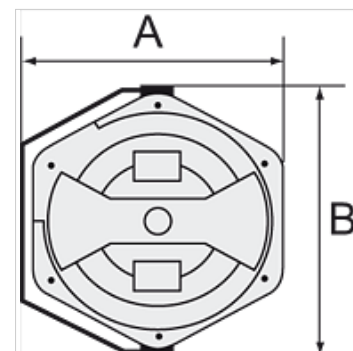
Caractéristiques

Matériau du tuyau Braided PVC

Pression de service Max. 9 bar

Température de service +5 °C to +60 °C

Angle de pivotement 300°



Remarque

Autres informations sur demande.

Description

For easy mounting on the wall or ceiling. Closed, rugged, impact-resistant housing made of POM, supply/outlet R 1/4 male thread and lightweight, hard-wearing, braided PVC hose. Incl. 2 m feeder hose.

Article

Désignation	Dimension de tuyau	A (mm)	B (mm)	Longueur de tuyau (m)
K- 07 10 06 17	13 mm x 9,5 mm	394,5	436,0	14