

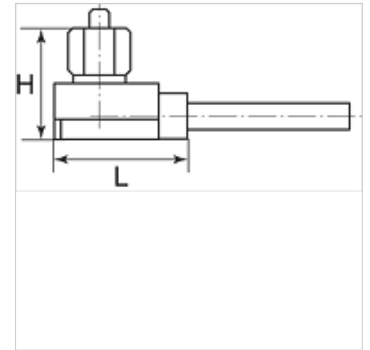
K-VAKUUMSENSOR DIGITAL

Vacuum sensor, digital

HANSA FLEX

Caractéristiques

Application	Measurement of vacuum values close to the suction pad Remote evaluation of the signals Processing the output signals, for example, by PLC
Médiums	dry, oil-free air and non-aggressive gases
Plage de température	0 - 50 °C
Signal de sortie	1 to 5 analogous to V
Hystérésis	Fixed: 20 mbar (model with digital sensor)
Longueur de câble	3 m
Indice de protection	IP 40



Remarque

Autres informations sur demande.

Description

Mini-sensor with housing and connection cable, analogue or digital output signal. Minimum size and low weight combined with high measuring accuracy.

Article

Désignation	Raccord	H (mm)	L (mm)	Plage de mesure	Tension
K- 07 45 01 57	M 5 male	16,9	21,0	-1 bis 0 bar	10 - 24 V DC