

# K-HAND-SCHIEBEVENTIL

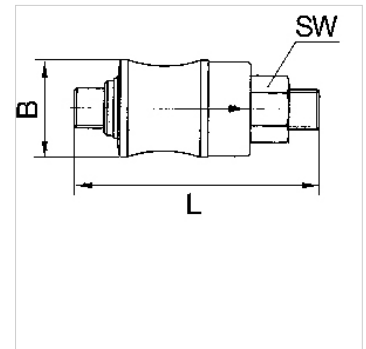
Manual slide valves

**HANSA FLEX**

## Caractéristiques

Pression de service maxi 10 bar

Température de service max. +70 °C



## Remarque

Autres informations sur demande.

## Description

For use on devices that have to be vented whenever they are turned off, either because of safety regulations or for technical reasons. The pneumatic devices are disconnected from the system and simultaneously vented each time they are shut off.

## Article

Désignation	Filets	B (mm)	L (mm)	SW (mm)
K- 07 30 15 92	G 1/8	21,0	67,0	14
K- 07 30 15 93	G 1/4	24,0	77,0	17
K- 07 30 15 94	G 3/8	31,0	87,0	22
K- 07 30 15 95	G 1/2	35,0	104,0	26