

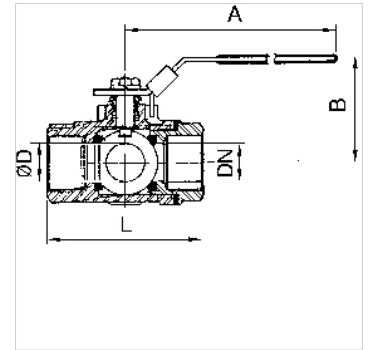
K-3 BKR T VA

3-way ball valves, T-bore

HANSA FLEX

Caractéristiques

Pression de service	max. 63 bar
Température de service	max. 160 °C
Perçage	forme T
Valeurs indicatives	Up to 40 °C: 63 bar, 150 °C: 28 bar
Joint d'étanchéité	RTFE
Manette	Stainless steel
Robinet à boisseau sphérique	Stainless steel 1.4408



Remarque

G thread acc. to DIN EN ISO 228-1, with ISO flange plate (acc. to ISO 5211)
Autres informations sur demande.

Description

With T-bore, reduced bore. Version for sealing on all sides with integrated ISO flange plate (ISO 5211). The lever can be turned 360° to allow several switching variants.

Informations relatives à la commande

For use on devices that have to be vented whenever they are turned off, either because of safety regulations or for technical reasons. The pneumatic devices are disconnected from the system and simultaneously vented each time they are shut off.

Article

Désignation	DN	Filets	A (mm)	B (mm)	L (mm)	Ø D (mm)
K- 07 30 15 10	15	G 1/2	114,0	73,0	80,0	12,5
K- 07 30 15 11	20	G 3/4	133,0	78,0	87,0	16,0
K- 07 30 15 12	25	G 1	133,0	83,0	100,0	20,0
K- 07 30 15 13	32	G 1 1/4	187,0	92,0	123,0	25,0
K- 07 30 15 14	40	G 1 1/2	187,0	98,0	142,0	31,8
K- 07 30 15 15	50	G 2	187,0	126,0	170,0	38,1