

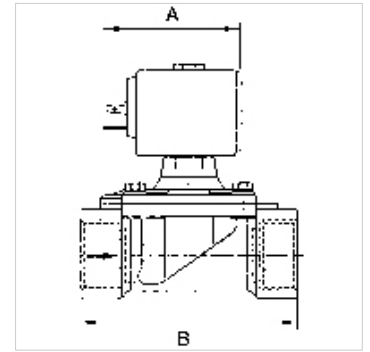
K-MV O D 230 V, 50 - 60 HZ

Normally open, directly operated, 230 V, 50 to 60 Hz

HANSA FLEX

Caractéristiques

Raccord électrique	For connector socket Pg 9/Pg 11, acc. to ISO 4400
Indice de protection	IP65 (with connector socket fitted)
Température de fluide	-10 °C to +90 °C (NBR); -10 °C bis +140 °C (FKM)
Boîtier, siège de vanne	Brass
Pièces internes	Stainless steel
Joint d'étanchéité	Perbunan (NBR) or FKM



Remarque

Autres informations sur demande.

Description

Economy series available in three different versions: Directly operated, Combined operation, Pilot-operated. For all applications with compressed air, neutral gases or low-viscosity, neutral media.

Article

Désignation	Filets	Pression de service max. (bar)	VN	Matériau étanche	A (mm)	B (mm)	Conception
K- 07 30 23 66	G 1/8	20	2,0	FKM	54,0	40,0	2
K- 07 30 23 67	G 1/8	14	2,5	FKM	54,0	40,0	2
K- 07 30 23 68	G 1/4	10	3,0	FKM	54,0	40,0	2
K- 07 30 23 69	G 1/4	4	4,5	FKM	54,0	40,0	2