

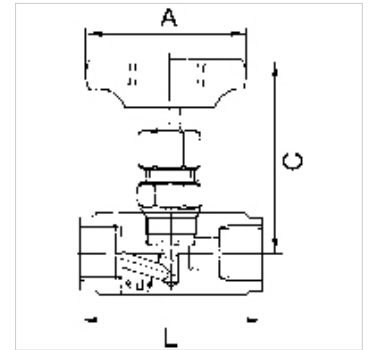
# K-NADELVENTILE VA

Needle valves

**HANSA FLEX**

## Caractéristiques

<b>Pression de service</b>	max. 400 bar (at 20 °C); max. 250 bar (at G 1 - 20 °C)
<b>Température de service</b>	-20 °C to +120 °C
<b>Matériau étanche</b>	PTFE
<b>Boîtier</b>	Stainless steel 1.4571
<b>Volant</b>	Plastic
<b>Matériau</b>	sealing: PTFE



## Remarque

G thread acc. to DIN EN ISO 228-1, with ISO flange plate (acc. to ISO 5211)  
Autres informations sur demande.

## Informations relatives à la commande

For use on devices that have to be vented whenever they are turned off, either because of safety regulations or for technical reasons. The pneumatic devices are disconnected from the system and simultaneously vented each time they are shut off.

## Informations supplémentaires

Port sizes G 1 1/4, G 1 1/2 and G 2 available on request

## Article

Désignation	DN	Filets	A (mm)	C (mm)	L (mm)
K- 07 30 24 03	4	G 1/8	50,0	74,0	50,0
K- 07 30 24 04	5	G 1/4	50,0	73,0	50,0
K- 07 30 24 05	6	G 3/8	50,0	72,0	55,0
K- 07 30 24 06	8	G 1/2	63,0	83,0	60,0
K- 07 30 24 07	10	G 3/4	63,0	100,0	75,0
K- 07 30 24 08	12	G 1	80,0	110,0	100,0