

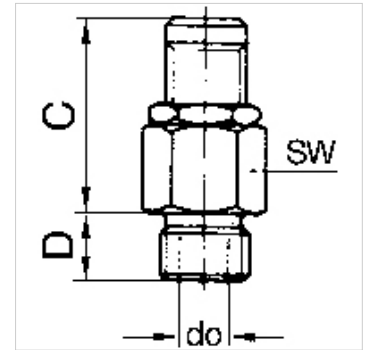
# K-ABBLV 2

Blow-off safety valves G 1/4

**HANSA FLEX**

## Caractéristiques

Pression de service	0.5 - 60 bar
Température de service	max. 180 °C
Joints	FKM
Boîtier	Brass



## Remarque

G thread acc. to DIN EN ISO 228-1, with ISO flange plate (acc. to ISO 5211)  
Autres informations sur demande.

## Description

Manual adjustment of the blow-off pressure (lock nut).

## Informations relatives à la commande

For use on devices that have to be vented whenever they are turned off, either because of safety regulations or for technical reasons. The pneumatic devices are disconnected from the system and simultaneously vented each time they are shut off.

## Informations supplémentaires

These blow-off valves can also be supplied with a fixed setting and a TÜV type test number. Please ask for an offer.

## Article

Désignation	Filets	Pression de réponse	Puissance de décharge	C (mm)	D (mm)	do (mm)	SW (mm)
K- 07 30 29 18	G 1/4	0.5 - 1.0 bar	to 50 l/min	27,0	7,0	3,0	16
K- 07 30 21 95	G 1/4	1.0 - 4.0 bar	to 200 l/min	27,0	7,0	3,0	16
K- 07 30 21 96	G 1/4	3.0 - 7.0 bar	to 350 l/min	27,0	7,0	3,0	16
K- 07 30 21 97	G 1/4	6.0 - 12.0 bar	to 650 l/min	27,0	7,0	3,0	16
K- 07 30 21 98	G 1/4	10.0 - 18.0 bar	to 870 l/min	27,0	7,0	3,0	16
K- 07 30 21 99	G 1/4	16.0 - 32.0 bar	to 1600 l/min	27,0	7,0	3,0	16
K- 07 30 22 00	G 1/4	30.0 - 60.0 bar	to 3000 l/min	27,0	7,0	3,0	16