

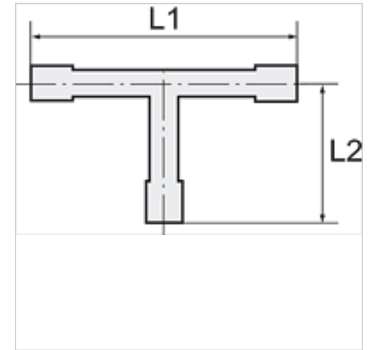
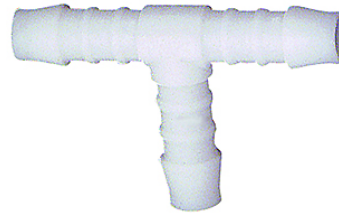
K-T-SCHLAUCH VB STUTZEN POM

Tee hose connectors, POM

HANSA FLEX

Caractéristiques

Plage de température -40 °C to +90 °C



Remarque

Autres informations sur demande.

Description

Lightweight tube connectors distinguished by high strength, toughness, resistance to abrasion and impact resistance. Resistant to: Acetone, benzene, benzene, butane, alcohols, diesel fuels, crude oil, natural gas, ethanol, fruit juices, glycerine, fuel oil, hydraulic fluids, aliphatic ketones, carbon dioxide, carbonic acid, engine oils, methanol, propane, liquefied gas, lubricating oils, lubricating greases, town gas, washing liquor and water.

Article

| Désignation | pour tuyau | L1 (mm) | L2 (mm) | Surpression maximale admissible (bar) |
|----------------|------------|------------|------------|--|
| K- 07 40 17 28 | LW 3 mm | 25,0 | 12,5 | 10 |
| K- 07 40 17 29 | LW 4 mm | 35,0 | 19,5 | 10 |
| K- 07 40 17 30 | LW 5 mm | 42,0 | 22,0 | 10 |
| K- 07 40 17 31 | LW 6 mm | 50,0 | 26,0 | 10 |
| K- 07 40 17 32 | LW 8 mm | 58,0 | 30,0 | 10 |
| K- 07 40 17 33 | LW 10 mm | 62,5 | 33,5 | 10 |
| K- 07 40 17 34 | LW 12 mm | 69,0 | 36,0 | 10 |
| K- 07 40 17 35 | LW 13 mm | 69,0 | 36,0 | 10 |
| K- 07 40 17 36 | LW 16 mm | 81,0 | 45,0 | 10 |
| K- 07 40 17 37 | LW 19 mm | 85,0 | 45,0 | 10 |
| K- 07 40 46 58 | LW 25 mm | 105,0 | 52,5 | 10 |