

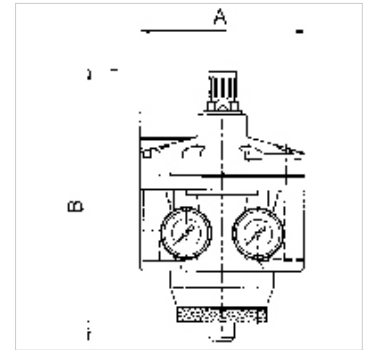
K-HOCHLEIST DRUCKREGLER

Heavy-duty pressure regulators

HANSA FLEX

Caractéristiques

Pression d'entrée	Max. 25 bar
Température de fluide	max. 60 °C
Température ambiante	Max. 60 °C
Débit	50000 l/min
Matériau étanche	NBR
Boîtier	Aluminium, painted silver
Mesure de la valeur du débit	At P1 = 8 bar, P2 = 6 bar and pressure drop $\Delta p = 1$ bar



Remarque

Autres informations sur demande.

Description

Diaphragm pressure regulators, independent of inlet pressure, with internal pilot control and self-relieving design for very high flow rates. Separate indication of input and working pressure on two pressure gauges. The pressure setting can be locked by pushing the knob down. We recommend always using these controllers in conjunction with our K-07250607 and K-07250609 filters.

Article

Désignation	Filets	Plage de régulation	A (mm)	B	DN
K- 07 25 08 03	G 1 1/2	0.1 - 3 bar	188,0	261,0 mm	50
K- 07 25 08 04	G 1 1/2	0.2 - 6 bar	188,0	261,0 mm	50
K- 07 25 08 05	G 1 1/2	0.5 - 10 bar	188,0	261,0 mm	50
K- 07 25 08 06	G 1 1/2	0.5 - 16 bar	188,0	261,0 mm	50
K- 07 25 08 07	G 2	0.1 - 3 bar	160,0	261,0 mm	50
K- 07 25 08 08	G 2	0.2 - 6 bar	160,0	261,0 mm	50
K- 07 25 08 09	G 2	0.5 - 10 bar	160,0	261,0 mm	50
K- 07 25 08 10	G 2	0.5 - 16 bar	160,0	261,0 mm	50

Pièces de rechange

K-VERSCHLEI-SATZ	Set of wearing parts
K-LOESBARE DOPPELNIPPEL MS	Double nipples