

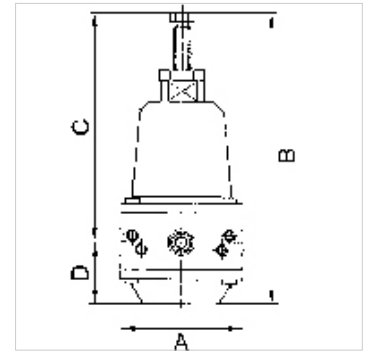
# K-PRAEZI DRUCKREGLER MEM

Precision pressure regulators

**HANSA FLEX**

## Caractéristiques

Pression d'entrée	Max. 16 bar
Température de fluide	max. 60 °C
Température ambiante	Max. 60 °C
Médiums	Micro-filtered, unoiled compressed air (0.01 µm)
Raccord pour manomètre	G 1/4
Matériau étanche	NBR
Boîtier	Die-cast zinc
Consommation d'air interne	0.01 l/min, depending on input pressure and control range



## Remarque

The given flow rates are based on the following parameters: 750 l/min: P1: 8 bar, P2: 2 bar,  $\Delta p \leq 0.2$  bar

750 l/min: P1: 8 bar, P2: 3 bar,  $\Delta p \leq 0.5$  bar

750 l/min: P1: 8 bar, P2: 5 bar,  $\Delta p \leq 0.7$  bar

Autres informations sur demande.

## Description

Diaphragm pressure regulators containing no non-ferrous metals, with self-relieving design for applications requiring an precise working pressure.

## Informations supplémentaires

1500 l/min: P1: 10 bar, P2: 7 bar,  $\Delta p \leq 0.1$  bar.

## Article

Désignation	Filets	Plage de régulation	Débit (L/min)	A (mm)	B (mm)	C (mm)	D (mm)
K- 07 25 09 36	G 1/4	0.1 - 2 bar	750	60,0	152,0 mm	120,0	32,0
K- 07 25 09 37	G 1/4	0.1 - 3 bar	750	60,0	152,0 mm	120,0	32,0
K- 07 25 09 38	G 1/4	0.2 - 5 bar	750	60,0	152,0 mm	120,0	32,0

## Pièces de rechange

K-HALTERBAUSATZ STANDARD	Holder
K-VERSCHLEI-SATZ	Set of wearing parts
K-FILTERELEMENT	Filter element
K-XV AGM 2	Double nipples, parallel male thread