

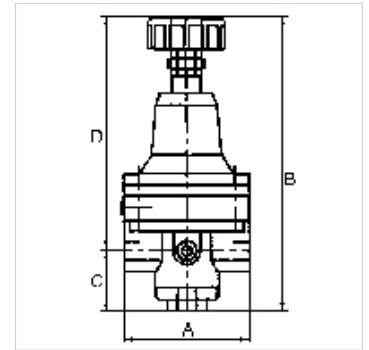
K-PRAEZI DRUCKREGLER SELU

Precision pressure regulators

HANSA FLEX

Caractéristiques

Pression d'entrée	Max. 16 bar
Température de fluide	max. 60 °C
Température ambiante	Max. 60 °C
Médiums	Micro-filtered, unooled compressed air (0.01 µm)
Raccord pour manomètre	G 1/4
Raccord de ventilation	G 3/8 (for mounting a silencer)
Matériau étanche	NBR
Boîtier	Die-cast zinc
Consommation d'air interne	1.5 - 6 l/min, depending on input pressure and control range



Remarque

The given flow rates are based on the following parameters: 1200 l/min: P1: 5 bar, P2: 3 bar, $\Delta p \leq 0.1$ bar

1400 l/min: P1: 7 bar, P2: 5 bar, $\Delta p \leq 0.1$ bar

1500 l/min: P1: 10 bar, P2: 7 bar, $\Delta p \leq 0.1$ bar. Wear parts kit not supplied! Pressure regulator may only be opened in the factory!

Autres informations sur demande.

Description

With high flow rate and large secondary relief port. Diaphragm pressure regulators with large secondary relief port for applications requiring an extremely accurate working pressure, especially at high flow rates.

Informations supplémentaires

on Art. K-07250721: Max. inlet pressure 300 bar. Other cylinder pressure regulators available on request.

1500 l/min: P1: 10 bar, P2: 7 bar, $\Delta p \leq 0.1$ bar.

Article

Désignation	Filets	Plage de régulation	Débit (L/min)	A (mm)	C (mm)	D (mm)
K- 07 25 09 28	G 1/4	0.05 - 3 bar	700	82,0	43,5	159,0
K- 07 25 09 29	G 1/4	0.05 - 7 bar	1500	82,0	43,5	159,0
K- 07 25 09 30	G 3/8	0.05 - 3 bar	3000	82,0	43,5	159,0
K- 07 25 09 31	G 3/8	0.05 - 7 bar	5500	82,0	43,5	159,0
K- 07 25 09 32	G 1/2	0.05 - 3 bar	3000	82,0	43,5	159,0
K- 07 25 09 33	G 1/2	0.05 - 5 bar	4500	82,0	43,5	159,0
K- 07 25 09 34	G 1/2	0.05 - 7 bar	5500	82,0	43,5	159,0

Pièces de rechange

K-HALTERBAUSATZ STANDARD	Holder
K-KM MS	Hexagonal lock nuts, brass
K-SCHALLDAEPFER VYON	Vyon silencers
K-FILTERELEMENT	Filter element
K-XV AGM 2	Double nipples, parallel male thread