

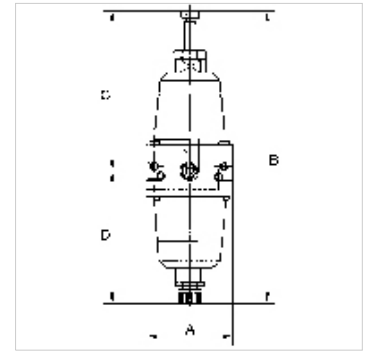
# K-PRAEZIONSFILTERREGLER

Precision filter regulators

**HANSA FLEX**

## Caractéristiques

|  |   |
|--|---|
| Pression d'entrée                        | Max. 16 bar   |
| Température de fluide                    | max. 60 °C  |
| Température ambiante                     | Max. 60 °C  |
| Médiums                                  | Micro-filtered, unoled compressed air (0.01 µm)           |
| Raccord pour manomètre                   | G 1/4   |
| Largeur des pores de l'élément de filtre | 10 µm   |
| Matériau étanche                         | NBR   |
| Boîtier                                  | Die-cast zinc   |
| Consommation d'air interne               | 0.01 l/min, depending on input pressure and control range |



## Remarque

The given flow rates are based on the following parameters: 750 l/min: P1: 8 bar, P2: 2 bar,  $\Delta p \leq 0.2$  bar

750 l/min: P1: 8 bar, P2: 3 bar,  $\Delta p \leq 0.5$  bar

750 l/min: P1: 8 bar, P2: 5 bar,  $\Delta p \leq 0.7$  bar

Autres informations sur demande.

## Description

Diaphragm pressure regulators containing no non-ferrous metals, with selfrelieving design, combined with a centrifugal separator for applications requiring an extremely accurate working pressure.

## Informations supplémentaires

1500 l/min: P1: 10 bar, P2: 7 bar,  $\Delta p \leq 0.1$  bar.

## Article

| Désignation    | Filets | Plage de régulation | Débit (L/min) | A (mm) | B        | C (mm) | D (mm) |
|----------------|--------|---------------------|---------------|--------|----------|--------|--------|
| K- 07 25 09 86 | G 1/4  | 0.1 - 2 bar         | 750           | 60,0   | 216,0 mm | 120,0  | 96,0   |
| K- 07 25 09 87 | G 1/4  | 0.1 - 3 bar         | 750           | 60,0   | 216,0 mm | 120,0  | 96,0   |
| K- 07 25 09 88 | G 1/4  | 0.2 - 5 bar         | 750           | 60,0   | 216,0 mm | 120,0  | 96,0   |

## Pièces de rechange

|                          |                      |
|--------------------------|----------------------|
| K-HALTERBAUSATZ STANDARD | Holder               |
| K-VERSCHLEI-SATZ         | Set of wearing parts |