

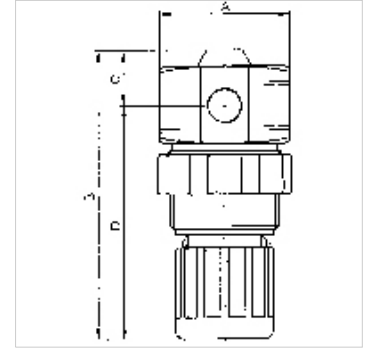
K-DRG FLUESSIGE MEDIEN O MANO VA

Stainless steel pressure regulators 1.4571

HANSA FLEX

Caractéristiques

| | |
|------------------------------|---|
| Pression d'entrée | Max. 25 bar |
| Température de fluide | max. 80 °C |
| Température ambiante | Max. 80 °C |
| Matériau étanche | FKM |
| Ressort de pression | Stainless steel (10 bar variant), Steel (2 and 6 bar variants) |
| Boîtier | Stainless steel V4A (1.4571) |
| Pièces internes | Stainless steel V4A (1.4571) |
| Membrane | FKM |
| Mesure de la valeur du débit | At P1 = 8 bar, P2 = 6 bar and pressure drop $\Delta p \leq 1$ bar |



Remarque

Autres informations sur demande.

Description

Diaphragm pressure regulators with non-self-relieving design. The pressure setting can be locked by pushing the knob down.

Article

| Désignation | Filets | Plage de régulation | Débit (L/min) | A (mm) | B | C (mm) | D (mm) |
|----------------|--------|---------------------|---------------|--------|---------|--------|--------|
| K- 07 25 02 12 | G 1/4 | 0.1 - 2 bar | 400 | 36,0 | 81,0 mm | 16,0 | 65,0 |
| K- 07 25 02 13 | G 1/4 | 0.2 - 6 bar | 400 | 36,0 | 81,0 mm | 16,0 | 65,0 |
| K- 07 25 02 14 | G 1/4 | 0.5 - 10 bar | 350 | 36,0 | 81,0 mm | 16,0 | 65,0 |

Pièces de rechange

| | |
|------------------|----------------------|
| K-HALTERBAUSATZ | Holder |
| K-MANO 3 | Pressure gauge |
| K-VERSCHLEI-SATZ | Set of wearing parts |