

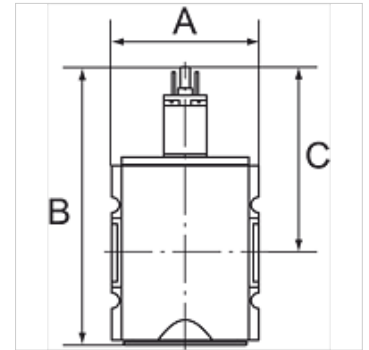
K-WV 3/2 ELK 24 VDC HANSA

3/2-way valves, electrically operated, with 24 VDC / 2.5 W solenoid

HANSA FLEX

Caractéristiques

Pression d'entrée	2 - 10 bar
Plage de température	-10 °C to +50 °C
Médiums	Air comprimé
Puissance de serrage tension alternative 50 Hz	2,2 VA
Durée de mise en circuit	ED 100 %
Raccord électrique	Connector type C, ISO 15217, 2 poles +PE
Puissance de maintien tension alternative 50 Hz	1,6 VA
Consommation de puissance courant continu	2,5 W
Indice de protection	IP 65
Filet de raccord	Material: Die-cast zinc
Boîtier	Material: Grivory® (PA 66)
Mesure de la valeur du débit	At P2 = 6 bar, pressure drop $\Delta p = 1$ bar



Remarque

Autres informations sur demande.

Description

Pneumatic systems or parts of systems can be switched on and off by means of an electrical signal. When they are switched off, the system is exhausted at the same time.

Informations relatives à la commande

Valves are also available with coil 110 V AC, 50 Hz and in a pneumatically operated version. Please ask for more information.

Article

Désignation	Filets	Fuite	Débit (L/min)	A (mm)	B	C (mm)
K- 07 25 11 05	G 1/4	1/4	2000	52,0	117,8 mm	84,8
K- 07 25 11 06	G 3/8	1/4	2000	52,0	117,8 mm	84,8
K- 07 25 11 31	G 3/8	1/2	4500	63,0	150,3 mm	93,8
K- 07 25 11 32	G 1/2	1/2	4500	63,0	150,3 mm	93,8
K- 07 25 11 37	G 3/4	1/2	12500	85,0	177,7 mm	110,7
K- 07 25 11 38	G 1	1/2	12500	85,0	177,7 mm	110,7

Accessoires

K-SCHALLDAE SINTERBR S	Silencers, sintered bronze, slotted
K-SCHALLDAE SINTERBR GE MS1	Silencers, sintered bronze, with brass hexagon nut and brass thread

Pièces de rechange

K-HALTERBAUSATZ HANSA	Holder HANSA
K-VORSTEUERVENTIL HANSA	Replacement solenoid HANSA
K-GERAETESTECKER FORM C	Connector