

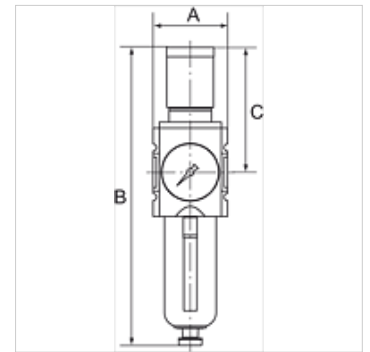
K-FI REGL PC-BEHÄEL S MANO HANSA

Filter regulators

HANSA FLEX

Caractéristiques

Pression d'entrée	1.5 - 16 bar
Pression en sortie	0.5 - 8 bar
Plage de température	-10 °C to +50 °C
Médiums	Air comprimé
Finesse du filtre	5,00 µm
Filet de raccord	Material: Die-cast zinc
Réservoir	Polycarbonate (with bayonet lock)
Élément de filtre	Cellpor (PE)
Boîtier	Material: Grivory® (PA 66)
Membrane	NBR
Consommation d'air interne	Max. 1.5 l/min (depending on secondary pressure)
Mesure de la valeur du débit	At P1 = 10 bar, P2 = 6.3 bar and pressure drop $\Delta p = 1$ bar



Remarque

Autres informations sur demande.

Description

Filter regulators with excellent flow rates in modern design. The regulator knob can be latched and locked.

Informations relatives à la commande

The price does not include a key lock. Please order separately.

Article

Désignation	Filets	Débit (L/min)	A (mm)	B	C (mm)	Gabarit	Évacuation du condensat
K- 07 25 06 57	G 1/4	2200	52,0	225,0 mm	95,5	-	Semi
K- 07 25 06 58	G 3/8	2600	52,0	225,0 mm	95,5	-	Semi
K- 07 25 06 59	G 3/8	4300	63,0	257,0 mm	110,0	-	Semi
K- 07 25 06 60	G 1/2	5200	63,0	257,0 mm	110,0	-	Semi
K- 07 25 06 53	G 3/4	14000	85,0	329,0 mm	137,0	-	Semi
K- 07 25 06 54	G 1	14000	85,0	329,0 mm	137,0	-	Semi
K- 07 25 06 61	G 1/4	2200	52,0	243,0 mm	95,5	-	Auto
K- 07 25 06 62	G 3/8	2600	52,0	243,0 mm	95,5	-	Auto
K- 07 25 06 63	G 3/8	4300	63,0	274,0 mm	110,0	-	Auto
K- 07 25 06 64	G 1/2	5200	63,0	274,0 mm	110,0	-	Auto
K- 07 25 06 55	G 3/4	14000	85,0	343,0 mm	137,0	4	Auto
K- 07 25 06 56	G 1	14000	85,0	343,0 mm	137,0	4	Auto

Accessoires

K-STECKSCHLOSS Key lock

Pièces de rechange

K-HALTERBAUSATZ HANSA	Holder HANSA
K-ERSATZBEHAELTER HANSA POLY	Spare tank HANSA polycarbonat
K-SCHALTTAFELMUTTER HANSA	Nut HANSA
K-FILTERELEMENT	Filter element
K-DICHTSATZ HANSA	Set of seals HANSA