

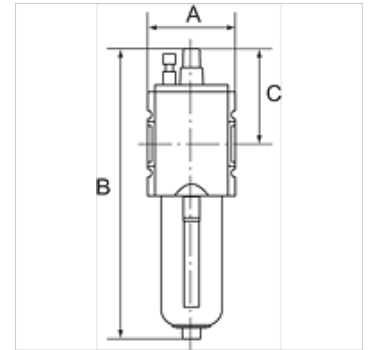
# K-NEBELOEL PC-BEHÄEL SCHUTZK HANSA

Oil-mist lubricators

**HANSA FLEX**

## Caractéristiques

Pression d'entrée	0.5 - 16 bar
Plage de température	-10 °C to +50 °C
Médiums	Air comprimé
Matériau étanche	NBR
Filet de raccord	Material: Die-cast zinc
Réservoir	Polycarbonate (with bayonet lock)
Boîtier	Material: Grivory® (PA 66)
Panier de protection	Polyamide
Embout compte-goutte	PA
Type d'huile	CL 32 acc. to DIN 51517 - ISO VG 32
Mesure de la valeur du débit	At P2 = 6 bar, pressure drop $\Delta p = 1$ bar



## Remarque

Autres informations sur demande.

## Description

Oil-mist lubricators with excellent flow rates in modern design. These devices can be used to top up oil automatically. A hose must be connected to the threaded nipple on the oil bowl for this purpose. When the oil filling button on the top of the device is pressed, a Venturi nozzle opens and sucks oil into the bowl under vacuum.

## Article

Désignation	Filets	Débit (L/min)	A (mm)	B	C (mm)
K- 07 25 08 79	G 1/4	2800	52,0	183,0 mm	62,2
K- 07 25 08 80	G 3/8	2800	52,0	183,0 mm	62,2
K- 07 25 08 81	G 3/8	8000	63,0	208,2 mm	69,7
K- 07 25 08 82	G 1/2	8000	63,0	208,2 mm	69,7
K- 07 25 08 77	G 3/4	16000	85,0	270,4 mm	87,9
K- 07 25 08 78	G 1	16000	85,0	270,4 mm	87,9

## Pièces de rechange

K-HALTERBAUSATZ HANSA	Holder HANSA
K-ERSATZBEHAELTER HANSA POLY	Spare tank HANSA polycarbonat
K-TROPFAUFSATZ HANSA	Drip attachment HANSA