

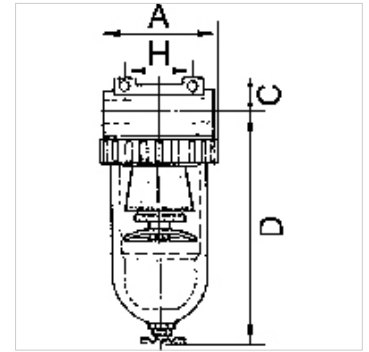
K-FI SPEZI METALLBEHAEL M STANDARD

Special filters with metal bowl and manual drain valve

HANSA FLEX

Caractéristiques

Pression d'entrée	Max. 16 bar (polycarbonate bowl / bowl guard), Max. 25 bar (metal bowl)
Température de fluide	max. 50 °C
Température ambiante	Max. 50 °C
Rendement	99.999 %
Largeur des pores de l'élément de filtre	0.01 µm
Boîtier	Die-cast zinc, painted silver
Mesure de la valeur du débit	At P2 = 6 bar and pressure drop $\Delta p = 1$ bar



Remarque

Autres informations sur demande.

Description

For all applications with particularly strict compressed air purity requirements. The separating efficiency of these filters permits very fine oil vapour particles and micro-fine suspended particles to be filtered. A standard filter should always be connected upstream to trap coarse impurities and protect the micro-filter inserts.

Article

Désignation	Filets	Débit (L/min)	A (mm)	C (mm)	D (mm)	H (mm)	DN
K- 07 25 10 74	G 1/4	380	48,0	14,0	133,5	38,0	6
K- 07 25 10 77	G 3/8	380	48,0	14,0	133,5	38,0	6
K- 07 25 10 79	G 3/8	720	70,0	16,0	159,0	50,0	10
K- 07 25 10 81	G 1/2	1250	79,0	18,0	171,0	50,0	15
K- 07 25 10 84	G 3/4	7000	133,0	36,0	206,0	134,0	20
K- 07 25 10 87	G 1	7000	133,0	36,0	206,0	120,0	25

Pièces de rechange

K-HALTERBAUSATZ STANDARD	Holder
K-FILTERELEMENT STANDARD	Filter element
K-SCHUTZKORB G	Protective cage
K-XV AGM MS NI	Double nipples, parallel male thread, nickel-plated brass
K-LOESBARE DOPPELNIPPEL MS	Double nipples