

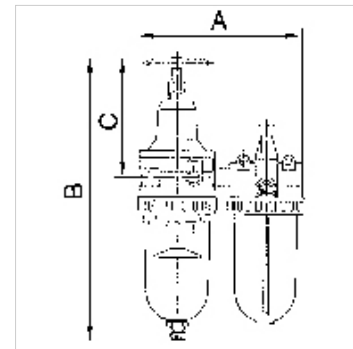
K-WTEH 2-TLG MET M ABLV TRO STANDARD

Service units with metal bowl and manual drain valve, metal sight dome

HANSA FLEX

Caractéristiques

Pression d'entrée	Max. 16 bar (polycarbonate bowl / bowl guard), Max. 25 bar (metal bowl)
Plage de régulation	0.5 to 10 bar (polycarbonate bowl / bowl guard) 0.5 to 16 bar (metal bowl)
Température de fluide	max. 60 °C
Température ambiante	Max. 60 °C
Largeur des pores de l'élément de filtre	5 µm (Size 1 / Size 3), 40 µm (Size 2 / Size 4)
Matériau étanche	NBR
Boîtier	Die-cast zinc / Aluminium, painted silver
Embout compte-goutte	PA (polycarbonate bowl), Zinc-glass-NBR (metal bowl)
Mesure de la valeur du débit	At P1 = 8 bar, P2 = 6 bar and pressure drop $\Delta p = 1$ bar



Remarque

Autres informations sur demande.

Description

Two-piece service units consisting of a reversible diaphragm pressure regulator, independent of inlet pressure, with self-relieving design, combined with a centrifugal separator and a proportional lubricator.

Article

Désignation	Filets	Débit (L/min)	A (mm)	B	C (mm)	DN	Ø manomètre
K- 07 25 14 94	G 1/4	600	117,0	240,0 mm	106,5	6	50
K- 07 25 14 97	G 3/8	600	117,0	240,0 mm	106,5	6	50
K- 07 25 15 00	G 3/8	800	150,0	281,5 mm	120,5	10	63
K- 07 25 15 03	G 1/2	2100	175,0	302,0 mm	130,0	15	63
K- 07 25 15 06	G 3/4	4000	220,0	454,6 mm	190,6	20	63
K- 07 25 15 09	G 1	4000	220,0	454,6 mm	190,6	25	63

Pièces de rechange

K-HALTERBAUSATZ STANDARD	Holder
K-SCHUTZKORB G	Protective cage
K-VERSCHLEI-SATZ	Set of wearing parts
K-FILTERELEMENT	Filter element
K-TROPFAUFSATZ POLYCARBO	Drip attachment polycarbonate
K-XV AGM MS NI	Double nipples, parallel male thread, nickel-plated brass
K-RD NIPPEL MS NI	Reducing nipples - nickel-plated brass
K-LOESBARE DOPPELNIPPEL MS	Double nipples
K-TROPFAUFSATZ METALL	Drip attachment metal
K-ABLASSVENTIL AUTO	Fully-automatic drain valve with Adapter G 1/8
K-AUTOMAT ABLASSVENTIL	Automatic drain valve