

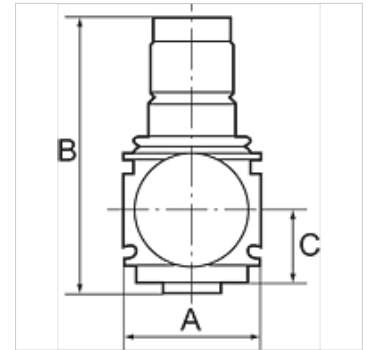
# K-DRG DRVS VARIOBLOC

Pressure regulators with pressure supply at both ends

**HANSA FLEX**

## Caractéristiques

Pression d'entrée	Max. 25 bar
Température de fluide	max. 50 °C
Température ambiante	Max. 50 °C
Matériau étanche	NBR
Logement de ressort	POM-brass
Boîtier	Die-cast zinc
Mesure de la valeur du débit	At P1 = 10 bar, P2 = 6 bar and pressure drop $\Delta p = 1$ bar



## Remarque

Autres informations sur demande.

## Description

Diaphragm pressure regulators with self-relieving design for mounting side by side. The pressure setting can be locked by pushing the knob down.  
<br>By assembling two or more controllers together, it is possible to supply several working air circuits with different output pressures via a single supply line.

## Informations relatives à la commande

Pressure regulators are also available in lockable version. Please ask for more information.

## Article

Désignation	Filets	Plage de régulation	Débit (L/min)	A (mm)	B	C (mm)
K- 07 25 04 33	G 1/4	0.5 - 6 bar	1800	48,0	98,0 mm	26,0
K- 07 25 04 34	G 1/4	0.5 - 10 bar	1800	48,0	98,0 mm	26,0
K- 07 25 04 35	G 1/4	0.5 - 16 bar	1800	48,0	98,0 mm	26,0
K- 07 25 04 36	G 3/8	0.5 - 6 bar	1800	48,0	98,0 mm	26,0
K- 07 25 04 37	G 3/8	0.5 - 10 bar	1800	48,0	98,0 mm	26,0
K- 07 25 04 38	G 3/8	0.5 - 16 bar	1800	48,0	98,0 mm	26,0

## Pièces de rechange

K-VERSCHLEI-SATZ VARIOBLOC Set of wearing parts