

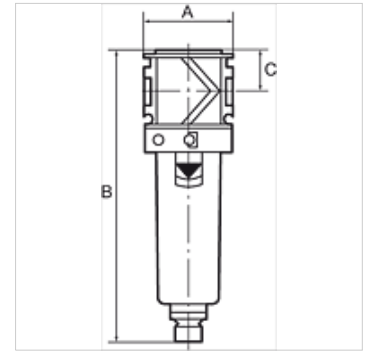
# K-FI MIKRO PC-BEHAEALTER VARIOBLOC

Micro-filters with polycarbonate bowl

**HANSA FLEX**

## Caractéristiques

<b>Pression d'entrée</b>	Max. 16 bar (polycarbonate bowl), Max. 20 bar (metal bowl)
<b>Température de fluide</b>	max. 50 °C
<b>Température ambiante</b>	Max. 50 °C (polycarbonate bowl), Max. 80 °C (metal bowl)
<b>Finesse du filtre</b>	0,01 µm
<b>Qualité de l'air ISO 85731</b>	Class 1 dirt, class 1 oil
<b>Rendement</b>	99.999 %
<b>Mesure de la valeur du débit</b>	At P1 = 7 bar and pressure drop $\Delta p = 0,1$ bar



## Remarque

Autres informations sur demande.

## Description

Borosilicate filter for all applications where compliance with strict compressed air purity requirements is vital. As the second stage downstream of the standard filter, the micro-filter removes 99.999 % of even the finest remaining particles from water, oil and dirt with practically zero residues (filter rating: 0.01 µm).

## Informations relatives à la commande

Micro-filters are also available with bowl guard or metal bowl.

## Article

Désignation	Filets	Débit (L/min)	A (mm)	B	C (mm)
K- 07 25 10 89	G 1/4	370	48,0	155,0 mm	22,0
K- 07 25 10 91	G 3/8	420	48,0	155,0 mm	22,0
K- 07 25 10 93	G 1/2	1000	70,0	202,0 mm	26,0
K- 07 25 10 95	G 3/4	1100	70,0	202,0 mm	26,0
K- 07 25 10 97	G 1	1100	124,0	202,0 mm	26,0

## Pièces de rechange

K-ERSATZBEHAELTER VARIOBLOC POLY	Spare tank Polycarbonat
K-FILTERELEMENT VARIOBLOC	Filter element
K-ABLASSVENTIL AUTO	Fully-automatic drain valve with Adapter G 1/8