

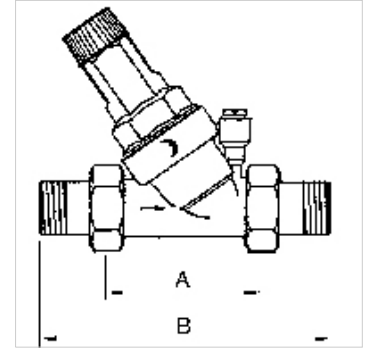
K-DRG SAXONIA M MANO

Pressure regulators

HANSA FLEX

Caractéristiques

Pression d'entrée	Max. 16 bar
Médiums	Drinking water
Température de service	Max. 30 °C
Matériau étanche	NBR
Logement de ressort	Plastic
Boîtier	Brass
Crépine	Plastic, with control dial for back pressure
Autres indications	DVGW Zertifikat



Remarque

Autres informations sur demande.

Description

Diaphragm pressure regulators with pressure-reduced single-seated valve and built-in strainer. These pressure regulators, which are independent of inlet pressure, protect domestic water installations against excessive supply pressure. They can also be used for commercial or industrial purposes providing their specification is adequate.

Article

Désignation	Filets	DN	Plage de régulation	Débit valeur kvs (m ³ /h)	A (mm)	B
K- 07 25 04 72	R 3/4	20	1.5 - 6 bar	3,4	90,0	158,0 mm
K- 07 25 04 73	R 1	25	1.5 - 6 bar	5,3	100,0	184,0 mm
K- 07 25 04 74	R 1 1/4	32	1.5 - 6 bar	8,6	130,0	228,0 mm

Pièces de rechange

K-VENTILAUUSTAUSCHSATZ	Valve replacement kit
K-ERSATZSIEBE	Replacement strainer
K-RMM U STAHL	Standard pressure gauges (sheet steel housing / connection radial on bottom)