

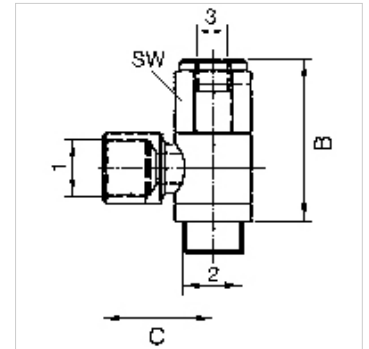
# K-HS RD

Unidirectional banjo valves, pneumatic release, port 2 with female thread

**HANSA FLEX**

## Caractéristiques

Pression de service	0.3 - 10 bar
Pression de commande	0.5 - 2.5 bar, depending on operating pressure
Température de fluide	max. 60 °C
Position de montage	Any. The ring piece must be positioned before the valve is tightened
Matériau	Laiton nickelé
Matériau étanche	Perbunan



## Remarque

Autres informations sur demande.

## Description

For stopping and positioning the cylinder movement: If a control signal is present at port 3 (see drawing), air can flow to and from the cylinder. If no control signal is present, the cylinder exhaust air is shut off by the unidirectional valve. <br>The cylinder is stopped. Releasable unidirectional valves are screwed directly onto the cylinder instead of the normal pipe connections.

## Article

Désignation	Port 1	Port 2	Raccord 3	B (mm)	C (mm)
K- 07 15 07 04	G 1/8	G 1/8	M 5	38,0	21,5
K- 07 15 07 03	G 1/4	G 1/4	G 1/8	43,0	25,4
K- 07 15 07 05	G 3/8	G 3/8	G 1/8	46,0	31,6
K- 07 15 07 02	G 1/2	G 1/2	G 1/8	52,0	32,0