

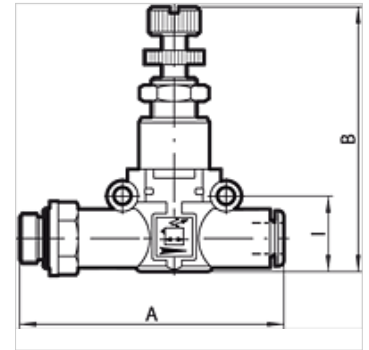
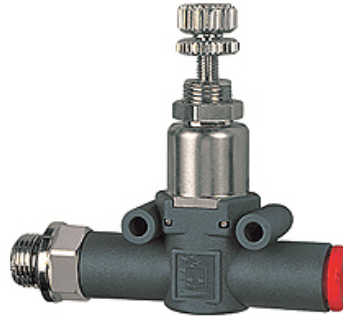
# K-DRG GEW SCHL

Pressure regulators, thread (input) - pipe (output)

**HANSA FLEX**

## Caractéristiques

<b>Pression de service</b>	2 - 10 bar
<b>Débit 6,3 bar</b>	400 NI/min (Ø 6 and G 1/8), 600 NI/min (Ø 8 and G 1/4)
<b>Plage de température</b>	-20 °C to +60 °C
<b>Corps</b>	Technopolymer
<b>Pièces internes</b>	nickel-plated brass, brass, technopolymer, stainless steel
<b>Matériau étanche</b>	NBR
<b>Montage</b>	Wall mounting (housing with drilled holes) Bracket mounting (mounting bracket available) Panel mounting (with bracket or lock nut)
<b>Symbole</b>	on the housing



## Remarque

Autres informations sur demande.

## Description

A carefully selected assortment of products for installation in pneumatic circuits. These small, highly efficient components allow all pneumatic functions to be implemented anywhere in the circuit. The series has an ultramodular design. All components can be installed in parallel, in series, in a mixed parallel / serial configuration. Available as Pipe / pipe connection with two plug connectors Thread / pipe connection, with one plug connector and one nickel-plated brass thread.

## Article

Désignation	Filets	pour Ø de tuyau (mm)	Plage de régulation	A (mm)	B (mm)	l (mm)
K- 07 25 03 14	G 1/8	6	1 - 8 bar	58,5	52,0	14,6
K- 07 25 03 15	G 1/8	8	1 - 8 bar	61,5	52,0	14,6
K- 07 25 03 12	G 1/4	6	1 - 8 bar	66,2	58,0	18,7
K- 07 25 03 13	G 1/4	8	1 - 8 bar	70,6	58,0	18,7
K- 07 25 03 16	G 3/8	8	1 - 8 bar	72,2	58,0	18,7