

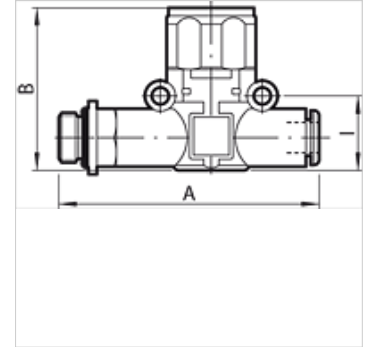
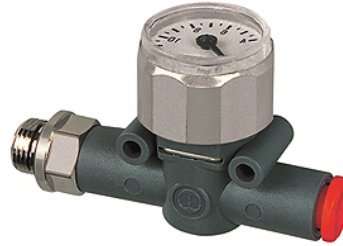
# K-MANO GEW SCHL

Pressure gauges, thread (input) - pipe (output)

**HANSA FLEX**

## Caractéristiques

Pression de service	maxi 12 bar
Précision de mesure	+/- 4 % of full-scale value
Échelle de mesure	0 - 12 bar
Plage de température	-20 °C to +60 °C
Corps	Technopolymer
Pièces internes	nickel-plated brass, brass, technopolymer, stainless steel
Matériau étanche	NBR
Montage	Wall mounting (housing with drilled holes) Bracket mounting (mounting bracket available) Panel mounting (with bracket or lock nut)
Symbole	on the housing



## Remarque

Autres informations sur demande.

## Description

A carefully selected assortment of products for installation in pneumatic circuits. These small, highly efficient components allow all pneumatic functions to be implemented anywhere in the circuit. The series has an ultramodular design. All components can be installed in parallel, in series, in a mixed parallel / serial configuration. Available as Pipe / pipe connection with two plug connectors Thread / pipe connection, with one plug connector and one nickel-plated brass thread.

## Article

Désignation	Filets	pour Ø de tuyau (mm)	A (mm)	B (mm)	l (mm)
K- 07 15 25 39	M 5	4	47,7	36,1	12,8
K- 07 15 25 40	G 1/8	4	51,5	36,1	12,8
K- 07 15 14 15	G 1/8	6	58,3	35,0	14,6
K- 07 15 14 16	G 1/8	8	66,4	41,1	18,7
K- 07 15 14 13	G 1/4	6	61,3	35,0	14,6
K- 07 15 14 14	G 1/4	8	70,8	41,1	18,7
K- 07 15 14 17	G 3/8	8	72,4	41,1	18,7