

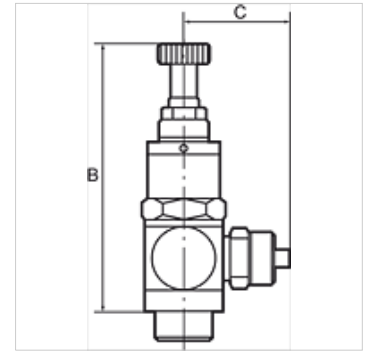
# K-KDR SCHNVERSCHR

Mini pressure regulators, discharge port on thread, quick-lock screw fitting

**HANSA FLEX**

## Caractéristiques

Plage de régulation	0 - 8 bar
Pression d'entrée	Max. 10 bar
Plage de température	0 °C to +70 °C
Boulon creux, bras oscillant, vis de réglage	Nickel-plated brass
Pièces internes	Brass with a bare metal surface
Joint torique à lèvres	NBR
Joints d'étanchéité (imperdables)	Polyamide (glass fibre-reinforced)



## Remarque

Autres informations sur demande.

## Description

Piston pressure regulator with self-relieving design, hollow bolt and pivoting ring piece. The regulator is screwed directly into the consumer (e.g. cylinder, handling equipment, etc.). The working pressure can thus be adapted to the specific application.

## Article

Désignation	C (mm)	pour tuyau	Filets	SW	B (mm)
K- 07 25 08 33	16,0	G 1/8 IG	G 1/8	15 mm	56,0
K- 07 25 08 34	25,0	5 mm / 3 mm	G 1/8	15 mm	56,0
K- 07 25 08 35	25,0	6 mm / 4 mm	G 1/8	15 mm	56,0
K- 07 25 08 36	25,0	8 mm / 6 mm	G 1/8	15 mm	56,0
K- 07 25 08 31	26,5	6 mm / 4 mm	G 1/4	17 mm	63,0
K- 07 25 08 32	27,5	8 mm / 6 mm	G 1/4	17 mm	63,0
K- 07 25 08 30	28,5	10 mm / 8 mm	G 1/4	17 mm	63,0