

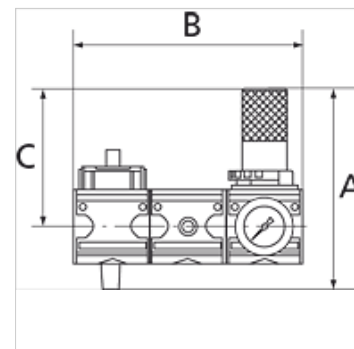
K-WTST SAFETY BKR SCHA AN DR MULTI

SAFETY service unit sets, comprising a ball valve with silencer, start-up valve and pressure regulator with lock cylinder

HANSA FLEX

Caractéristiques

Pression d'entrée	2 - 16 bar
Pression en sortie	0.5 - 10 bar
Plage de température	Max. 60 °C
Médiums	Air comprimé
Matériau étanche	NBR
Réservoir	Polycarbonate (with bayonet lock) and bowl guard
Logement de ressort	POM
Élément de filtre	Cellpor (PE) 5 µm
Boîtier	Die-cast zinc
Membrane	NBR
Drain valve	Semi-automatic
Mesure de la valeur du débit	At P1 = 8 bar, P2 = 6 bar and pressure drop $\Delta p = 1$ bar
Autres indications	see data sheets of the individual components (on request)
Raccord ventilation Robinet à boisseau sphérique	Silencer



Description

These compressed air service unit sets, comprising a ball valve with silencer, a start-up valve and one out of a pressure regulator, filter regulator or service unit, meet even the strictest requirements for operating reliability and accident prevention!

Informations relatives à la commande

The price does not include a padlock. Please order separately. For accessories and spare parts, refer to individual components: ball valve, start-up valve, pressure regulator, filter regulator, 2-piece service unit.

Article

Désignation	Filets	Plage de régulation	Débit (L/min)	A (mm)	B	C (mm)
K- 07 25 15 11	G 1/4	2 - 10 bar	1000	128,0	137,8 mm	94,0
K- 07 25 15 12	G 1/2	2 - 10 bar	4000	189,0	200,8 mm	122,0
K- 07 25 15 13	G 1	2 - 10 bar	12000	241,7	282,8 mm	157,0