

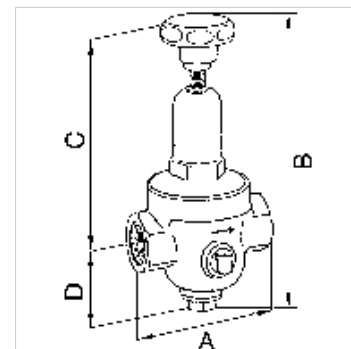
K-DRG DRV 250 NIEDERDRUCK

DRV 250 pressure regulators, low-pressure type

HANSA FLEX

Caractéristiques

Pression d'entrée	Max. 25 bar (Series 200 and 300 Series), Max. 40 bar (400 Series)
Plage de température	Max. 75 °C
Rapport de réduction	Max. 10:1 (200 Series), Max. 20:1 (300 Series), Max. 6:1 (400 Series)
Matériau étanche	NBR
Logement de ressort	Pressed brass up to DN 25, Grey cast iron from DN 32
Boîtier	Red brass 2.1096.01



Remarque

Autres informations sur demande.

Description

Diaphragm pressure regulators with non-self-relieving design and non-pressure-reduced single-seated valve. Very precise adjustment. Good response characteristic because of only a few moving parts which hence minimal friction. Ideal for compressed air, nitrogen and other neutral, non-flammable gases, but only suitable for liquids with comparatively low flow rates.

Informations relatives à la commande

Autres versions sur demande

Informations supplémentaires

Autres modèles sur demande

Article

Désignation	Filets	Plage de régulation	Débit valeur kvs (m ³ /h)	A (mm)	B	C (mm)	D (mm)
K- 07 25 04 94	G 1/4	0.2 - 2 bar	0,5	70,0	185,5 mm	140,0	45,5
K- 07 25 04 95	G 3/8	0.2 - 2 bar	0,6	70,0	185,5 mm	140,0	45,5
K- 07 25 04 96	G 1/2	0.2 - 2 bar	1,2	85,0	232,5 mm	186,0	46,5

Pièces de rechange

K-VERSCHLEI-SATZ Set of wearing parts