

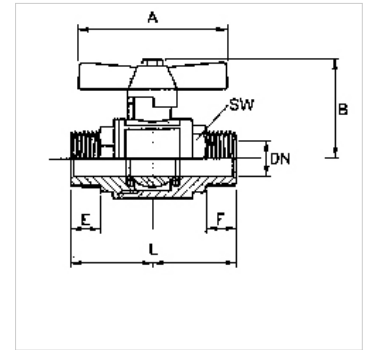
# K-BKR DREHGRIFF AG AG

Ball valves with wing lever, male/male thread

**HANSA FLEX**

## Caractéristiques

<b>Domaine d'utilisation</b>	Compressed air, water, non-toxic and neutral gases, heating oil (EL),(S), lubricants, dieseloil, water beased coatings
<b>Température de service</b>	-20 °C to +130 °C
<b>Description filetage</b>	G thread acc. to DIN EN ISO 228-1, R thread acc. to DIN EN 10226 (ISO 7-1)
<b>Boîtier</b>	Nickel-plated brass
<b>Levier</b>	Alu, painted black
<b>Sphère</b>	hardchrome-plated brass
<b>Étanchéité par joint sphérique</b>	PTFE
<b>Étanchéité de broche</b>	PTFE



## Remarque

Autres informations sur demande.

## Article

Désignation	DN	Filets	PN (bar)	A (mm)	B (mm)	E (mm)	F (mm)	L (mm)	SW (mm)
K- 07 30 20 22	8	R 1/4	100	45,0	43,0	11,0	11,0	54,5	18
K- 07 30 20 23	10	R 3/8	100	45,0	51,0	11,2	11,2	66,0	21
K- 07 30 20 24	15	R 1/2	100	55,0	54,5	14,9	14,9	82,0	27
K- 07 30 20 25	20	R 3/4	100	55,0	66,0	16,1	16,1	94,0	33
K- 07 30 20 26	25	R 1	100	70,0	70,0	19,0	19,0	107,0	40