

K-DRV 2

Unidirectional flow control valves

Caractéristiques

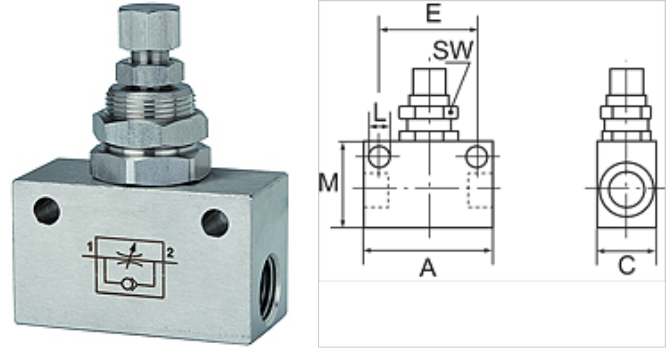
Pression de service maxi 10 bar

Température de service 0 °C to +150 °C

Matériau étanche FKM

Boîtier Stainless steel 1.4404

Pièces internes Stainless steel 1.4404



Remarque

Autres informations sur demande.

Description

Unidirectional flow control valve, restricted in the flow direction and free passage in the opposite direction.

Article

Désignation	Filets	A (mm)	C (mm)	E (mm)	L (mm)	M (mm)	SW (mm)
K- 07 30 12 41	G 1/8	34,0	15,0	24,0	4,5	20,0	14
K- 07 30 12 42	G 1/4	50,0	25,0	35,0	5,5	30,0	22