

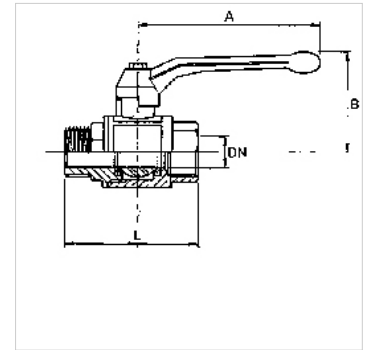
# K-BKR LANG IG AG

Ball valves, long-threaded type, female/male thread

**HANSA FLEX**

## Caractéristiques

Domaine d'utilisation	Compressed air, water, non-toxic and non-corrosive gases, heating systems, agriculture
Pression de service	Max. 40 bar
Température de service	-15 °C to +90 °C
Description filetage	Thread acc. to ISO 7-1
Boîtier	Nickel-plated brass
Levier	Aluminium, painted black
Sphère	Chrome-plated brass
Étanchéité par joint sphérique	PTFE
Étanchéité de broche	NBR / EPDM



## Remarque

G thread acc. to DIN EN ISO 228-1, with ISO flange plate (acc. to ISO 5211)  
Autres informations sur demande.

## Informations relatives à la commande

For use on devices that have to be vented whenever they are turned off, either because of safety regulations or for technical reasons. The pneumatic devices are disconnected from the system and simultaneously vented each time they are shut off.

## Informations supplémentaires

The pressure values refer to a maximum operating temperature of 40 °C. Lower maximum pressure apply at higher temperatures. See data sheet.

## Article

Désignation	DN	Filets	A (mm)	B (mm)	L (mm)
K- 07 30 21 37	8	Rp/R 1/4	85,0	42,0	52,0
K- 07 30 21 38	10	Rp/R 3/8	85,0	42,0	54,0
K- 07 30 21 39	15	Rp/R 1/2	85,0	46,0	67,0
K- 07 30 21 40	20	Rp/R 3/4	105,0	53,0	78,0
K- 07 30 21 41	25	Rp/R 1	105,0	57,0	89,0
K- 07 30 21 42	32	Rp/R 1 1/4	130,0	70,0	103,0
K- 07 30 21 43	40	Rp/R 1 1/2	130,0	76,0	113,0
K- 07 30 21 44	50	Rp/R 2	165,0	92,0	136,0