

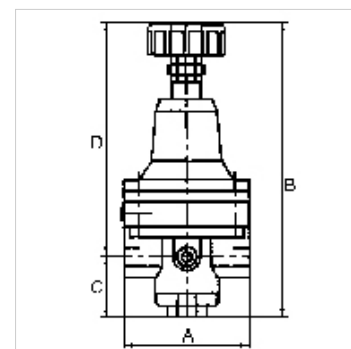
# K-PRAEZIONS STEUERREGLER

Precision pilot regulators (feedback)

**HANSA FLEX**

## Caractéristiques

|                            |                       |
|----------------------------|-----------------------|
| Pression d'entrée          | Max. 16 bar           |
| Température de fluide      | max. 80 °C            |
| Température ambiante       | Max. 80 °C            |
| Raccord pour manomètre     | For feedback pressure |
| Matériau étanche           | FKM                   |
| Boîtier                    | Die-cast zinc         |
| Membrane                   | FKM                   |
| Consommation d'air interne | 3 to 6 l/min          |



## Remarque

Autres informations sur demande.

## Description

Diaphragm pressure regulator for feedback systems, specially designed for use in a pneumatically controlled closed control loop in combination with a pressure regulator with pneumatic remote control, e.g. our Art. Nos. K-07250505 to K-07250510.

## Article

| Désignation    | Filets | Plage de régulation | A<br>(mm) | B        | C<br>(mm) | D<br>(mm) |
|----------------|--------|---------------------|-----------|----------|-----------|-----------|
| K- 07 25 05 11 | G 1/4  | 0.2 - 7 bar         | 82,0      | 142,8 mm | 19,4      | 123,4     |

## Accessoires

|                          |        |
|--------------------------|--------|
| K-HALTERBAUSATZ STANDARD | Holder |
|--------------------------|--------|