

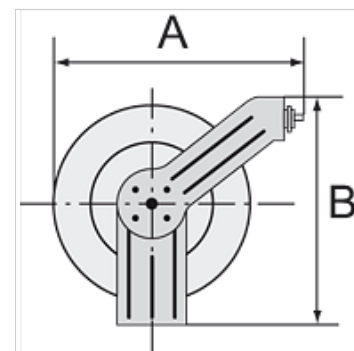
K-SCHL-AUFROLLER SCHWEISS

Hose reel, welding type

HANSA FLEX

Caractéristiques

Tuyaux	Welding hose for oxygen and acetylene, red and blue, made from synthetic rubber.
Pression de service	maxi 10 bar
Fixation	Wall, floor or ceiling
Entrée	Oxygen G 1/4 male, right-hand thread with 60° inside cone, Acetylene G 3/8 male, left-hand thread with 60° inside cone



Remarque

Autres informations sur demande.

Description

Heavy-duty steel design for industrial applications. Blue, powder-coated housing. Special reel guide prevents excessive wear on the hose. An automatic latching mechanism allows the hose to be engaged at any length. Enclosed spring. Precise locking device for continuous feeding or latching mechanism.

Article

Désignation	Dimension de tuyau	Hauteur (mm)	Diamètre (mm)	Longueur de tuyau (m)
K- 07 10 06 28	Oxygen: 16.5 mm x 6 mm, Acetylene: 17 mm x 10 mm	360	320	15