

# K-SCHL-AUFROLLER LU WA S

Hose reels for compressed air and water, heavy-duty type

**HANSA FLEX**

## Caractéristiques

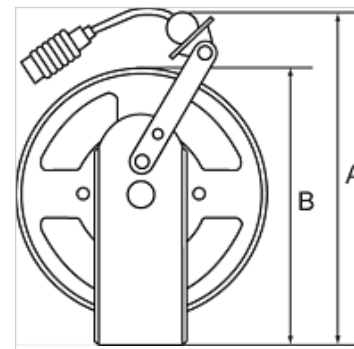
Matériau du tuyau Polyurethane

Pression de service maxi 10 bar

Température de service -10 °C to +40 °C

Fixation Wall, floor or ceiling

Entrée Hose stem 8 mm



## Remarque

Autres informations sur demande.

## Description

Heavy-duty steel design for industrial applications. Blue, powder-coated housing. An automatic latching mechanism allows the hose to be engaged at any length. Enclosed spring. Precise locking device for continuous feeding or latching mechanism. Reel guide prevents excessive wear on the hose.

## Article

Désignation	Dimension de tuyau	A (mm)	B (mm)	Longueur de tuyau (m)
K- 07 10 06 24	10 mm x 6,5 mm	420,0	353,0	10
K- 07 10 06 25	10 mm x 6,5 mm	420,0	353,0	20
K- 07 10 06 26	12 mm x 8 mm	420,0	353,0	15
K- 07 10 06 27	16 mm x 11 mm	420,0	353,0	15