

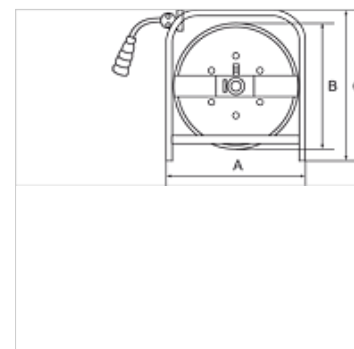
K-SCHL-AUFROLLER MOBIL

Hose reels for mobile applications

HANSA FLEX

Caractéristiques

Matériau du tuyau	Polyurethane
Pression de service	maxi 10 bar
Température de service	-10 °C to +40 °C
Entrée	Hose stem 8 mm
Filet de raccord	Coupling G 3/8



Remarque

Autres informations sur demande.

Description

Specially designed for mobile applications. This 50 m long polyurethane hose is mounted in a portable four-wheel cart made from blue anodised steel. An automatic latching mechanism allows the hose to be engaged at any length. Enclosed spring. Precise locking device for continuous feeding or latching mechanism. Reel guide prevents excessive wear on the hose.

Article

Désignation	Dimension de tuyau	A (mm)	B (mm)	C (mm)	Longueur de tuyau (m)
K- 07 10 06 16	12 mm x 8 mm	452,0	400,0	460,0	50