

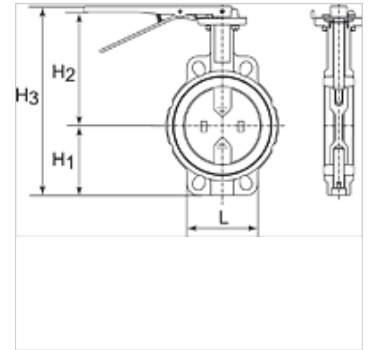
K-ZFL ABSP-KLAPPEN

Butterfly valves

HANSA FLEX

Caractéristiques

Pression de service	Max. 16 bar
Température de service	-15 °C to +120 °C
Médiums	Water / steam, salt water, salt water, ester, ketone, alkali, caustic soda, sodium hydroxide. Not recommended for hydrocarbons
Plage de température	-20 °C to +120 °C
Boîtier	Grey cast iron GG25 epoxy resin coated, RAL 5015
Joint d'étanchéité	EPDM
Arbre	SS416
Étanchéité de l'arbre	EPDM
Manette	GG25 epoxy resin coated



Remarque

Autres informations sur demande.

Article

Désignation	Rondelle	DN	B (mm)	H1 (mm)	H2 (mm)	H3 (mm)	L (mm)
K- 07 30 03 45	Stainless Steel CF8M/1.4404	40	38,0	68,0	94,0	198,0	94,0
K- 07 30 03 46	Stainless Steel CF8M/1.4404	50	47,0	71,0	143,0	236,0	100,0
K- 07 30 03 47	Stainless Steel CF8M/1.4404	65	49,0	78,0	155,0	255,0	115,0
K- 07 30 03 48	Stainless Steel CF8M/1.4404	80	47,0	89,0	162,0	273,0	127,0
K- 07 30 03 49	Stainless Steel CF8M/1.4404	100	56,0	102,0	178,0	302,0	163,0
K- 07 30 03 50	Stainless Steel CF8M/1.4404	125	59,0	123,0	191,0	336,0	190,0
K- 07 30 03 51	Stainless Steel CF8M/1.4404	150	59,0	138,0	205,0	365,0	216,0