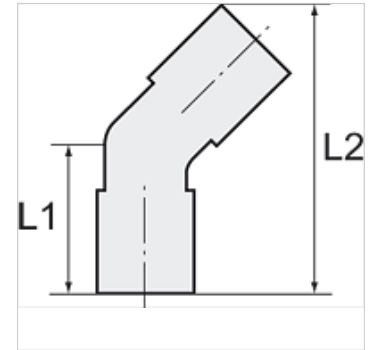


# K-STECKVERSCHR 45° DRE AG-K

45° union elbows, swivel type, conical male thread, coated

## Caractéristiques

Pression de service	Max. 15 bar, coarse vacuum
Domaine d'utilisation	Air, vacuum
Tuyaux recommandés	PU or PA (nylon)
Médiums	Compressed air and all gases or liquids that are compatible with the materials
Plage de température	-20 °C to +80 °C
Surface d'étanchéité	Conical version: thread coating
Matériau	Plastic, Nickel plated brass
Bague de pression	Plastic



## Remarque

Autres informations sur demande.

## Description

Push-in fittings series manufactured in plastic and nickel-plated brass. All parts are suitable for use with hoses, tubes or pipes made of plastic and copper.

## Article

Désignation	Filets	pour Ø ext. du tuyau	L1 (mm)	L2 (mm)	SW
K- 07 40 04 81	R 1/8	4 mm	22,7	38,5	10 mm
K- 07 40 04 82	R 1/8	6 mm	24,4	42,0	12 mm
K- 07 40 04 83	R 1/8	8 mm	27,6	48,0	14 mm
K- 07 40 04 80	R 1/8	10 mm	30,2	53,6	17 mm
K- 07 40 04 77	R 1/4	4 mm	25,7	41,5	14 mm
K- 07 40 04 78	R 1/4	6 mm	26,9	44,5	14 mm
K- 07 40 04 79	R 1/4	8 mm	29,6	50,0	14 mm
K- 07 40 04 75	R 1/4	10 mm	32,2	55,6	17 mm
K- 07 40 04 76	R 1/4	12 mm	35,2	61,9	21 mm
K- 07 40 04 86	R 3/8	6 mm	28,4	46,0	17 mm
K- 07 40 04 87	R 3/8	8 mm	31,1	51,5	17 mm
K- 07 40 04 84	R 3/8	10 mm	33,2	56,6	17 mm
K- 07 40 04 85	R 3/8	12 mm	36,2	62,9	21 mm
K- 07 40 04 73	R 1/2	6 mm	31,9	49,5	21 mm
K- 07 40 04 74	R 1/2	8 mm	34,6	55,0	21 mm
K- 07 40 04 71	R 1/2	10 mm	36,7	60,1	21 mm
K- 07 40 04 72	R 1/2	12 mm	39,2	65,9	21 mm