

K-KUGELAUSLAUFHAEHNE VA

Bibcocks - Stainless steel

HANSA FLEX

Caractéristiques

Domaine d'utilisation Water, gaseous and non-corrosive media, compressed air

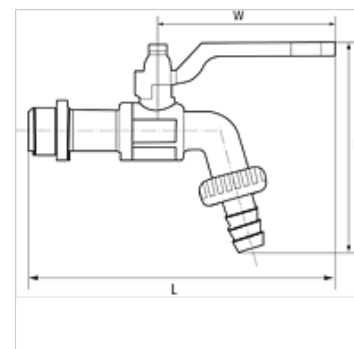
Pression de service 16 bar

Plage de température -10 °C to +150 °C

Joint d'étanchéité Teflon/NBR

Boîtier Stainless steel 1.4401

Matériau sealing: Teflon/NBR



Remarque

Autres informations sur demande.

Description

With hose connector, thread acc. to ISO 228-1, with lockable hand lever

Article

Désignation	DN	Raccord	PN (bar)	H (mm)	L (mm)	W (mm)
K- 07 30 30 30	12	G 1/2 male	16	91,0	149,0	90,0
K- 07 30 30 32	20	G 3/4 male	16	102,0	156,0	90,0
K- 07 30 30 28	25	G 1 male	16	116,0	145,0	90,0