

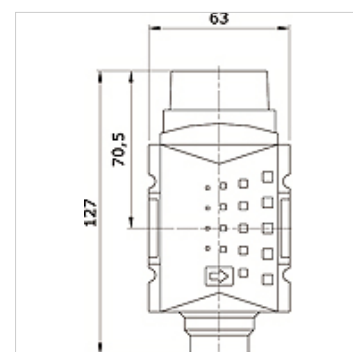
# K-3WBK HANSA PRO

## 3/2-way ball valve, HANSA PRO

**HANSA FLEX**

### Caractéristiques

Médiums	Air comprimé
Mode de fixation	Line mounting, mounting kit or wall mounting
Actionnement / protection	lockable with key lock
Position de montage	Any
Débit nominal G 1/2	11.000 l/min (P1 = 6 bar/Delta P = 1 bar)
Débit nominal G 3/8	7.250 l/min (P1 = 6 bar/Delta P = 1 bar)
PE maxi 11	16 bar



### Article

Désignation	Raccord	Gabarit
K- 07 25 22 54	G 3/8 i	2
K- 07 25 22 55	G 1/2 i	2

### Accessoires

K-STECKSCHLOSS	Key lock
----------------	----------