

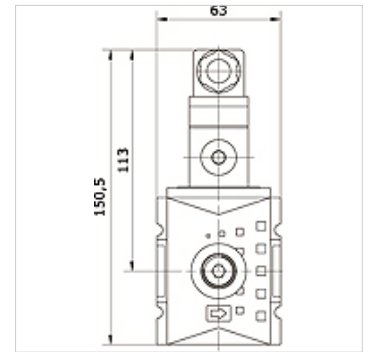
K-VERTEILER 3-FACH HANSA PRO

Distributor 3-fold with pressure switch, HANSA PRO

HANSA FLEX

Caractéristiques

Température de fluide	-10 °C to +50 °C
Température ambiante	-10 °C to +50 °C
Médiums	Air comprimé
Mode de fixation	Line mounting, mounting kit or wall mounting
Position de montage	Any
Plage de réglage	0,3 - 2 bar
Débit nominal G 1/2	11.000 l/min (P1 = 6 bar/Delta P = 1 bar)
Débit nominal G 3/8	7.250 l/min (P1 = 6 bar/Delta P = 1 bar)
Débit nominal arrière (P - E)	2.250 l/min (P1 = 6 bar/Delta P = 1 bar)
Débit nominal haut (P - D)	2.250 l/min (P1 = 6 bar/Delta P = 1 bar)
Débit nominal bas (P - B)	5.500 l/min (P1 = 6 bar/Delta P = 1 bar)
Débit nominal avant (P - C)	2.250 l/min (P1 = 6 bar/Delta P = 1 bar)
PE maxi 11	16 bar
Boîtier	PA66



Article

Désignation	Raccord P + A	Raccord B	Raccord C	Raccord D	Raccord E	Pression d'éclatement (bar)	Gabarit
K- 07 25 22 38	G 3/8 i	G 1/2 i	G 3/8 i	G 1/4 i	G 3/8 i	5	2
K- 07 25 22 39	G 3/8 i	G 1/2 i	G 3/8 i	G 1/4 i	G 3/8 i	10	2
K- 07 25 22 40	G 3/8 i	G 1/2 i	G 3/8 i	G 1/4 i	G 3/8 i	20	2
K- 07 25 22 41	G 3/8 i	G 1/2 i	G 3/8 i	G 1/4 i	G 3/8 i	25	2
K- 07 25 22 42	G 1/2 i	G 1/2 i	G 3/8 i	G 1/4 i	G 3/8 i	5	2
K- 07 25 22 43	G 1/2 i	G 1/2 i	G 3/8 i	G 1/4 i	G 3/8 i	10	2
K- 07 25 22 44	G 1/2 i	G 1/2 i	G 3/8 i	G 1/4 i	G 3/8 i	20	2
K- 07 25 22 45	G 1/2 i	G 1/2 i	G 3/8 i	G 1/4 i	G 3/8 i	25	2