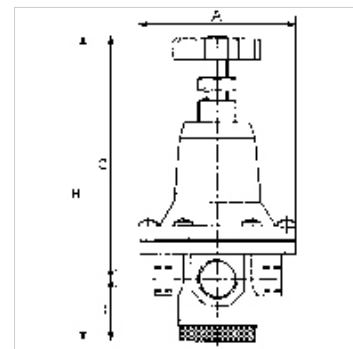


K-DBV MANO 1/2"

Pressure limiting valves size 1/2"

Caractéristiques

Construction	Spring-loaded, non-return diaphragm valve with adjustable opening pressure
Température de fluide	max. 60 °C
Température ambiante	Max. 60 °C
Matériau étanche	NBR
Logement de ressort	POM/brass
Boîtier	Die-cast zinc, painted silver
Membrane	NBR



Remarque

Autres informations sur demande.

Description

Manually adjustable overflow valves. For protecting pneumatic systems against damage caused by excess pressure.

Article

Désignation	Filets	Plage de régulation	A (mm)	B	C (mm)	D (mm)
K- 07 25 01 97	G 1/2	0.5 - 3.0 bar	82,0	162,0 mm	129,0	33,0
K- 07 25 01 98	G 1/2	0.5 - 5.5 bar	82,0	162,0 mm	129,0	33,0
K- 07 25 01 99	G 1/2	0.5 - 10.0 bar	82,0	162,0 mm	129,0	33,0

Pièces de rechange

K-HALTERBAUSATZ STANDARD	Holder
K-GERAETESTECKER	Coupling socket
K-SCHALLDAE SINTERBR AG 569	Silencers, sintered bronze, flat type with male thread, 569 Series
K-VERSCHLEI-SATZ	Set of wearing parts
K-KM MS	Hexagonal lock nuts, brass