

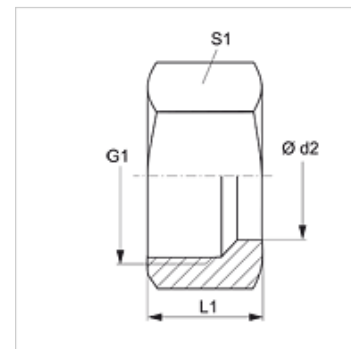
### Karakteristike

Priključak 1 metrički navoji matice

Izvedba Preturna matica

Norma DIN 3870

Materijal Mjed



### Artikli

Naziv	Seriya	Ø d2 (mm)	G1	L1 (mm)	S1
UEM 04 LL MG	LL	4	M 8 x 1	11,0	10
UEM 05 LL MG	LL	5	M 10 x 1	11,5	12
UEM 06 LL MG	LL	6	M 10 x 1	11,5	12
UEM 08 LL MG	LL	8	M 12 x 1	12,0	14
UEM 10 LL MG	LL	10	M 14 x 1	12,5	17
UEM 12 LL MG	LL	12	M 16 x 1	13,0	19
UEM NW 04 L MG	L	6	M 12 x 1,5	14,5	14
UEM NW 06 L MG	L	8	M 14 x 1,5	14,5	17
UEM NW 08 L MG	L	10	M 16 x 1,5	15,5	19
UEM NW 10 L MG	L	12	M 18 x 1,5	15,5	22
UEM NW 13 L MG	L	15	M 22 x 1,5	17,0	27
UEM NW 16 L MG	L	18	M 26 x 1,5	18,0	32
UEM NW 20 L MG	L	22	M 30 x 2	20,0	36
UEM NW 25 L MG	L	28	M 36 x 2	21,0	41
UEM NW 32 L MG	L	35	M 45 x 2	24,0	50
UEM NW 40 L MG	L	42	M 52 x 2	24,0	60
UEM NW 03 S MG	S	6	M 14 x 1,5	16,5	17
UEM NW 04 S MG	S	8	M 16 x 1,5	16,5	19
UEM NW 06 S MG	S	10	M 18 x 1,5	17,5	22
UEM NW 08 S MG	S	12	M 20 x 1,5	17,5	24
UEM NW 10 S MG	S	14	M 22 x 1,5	20,5	27
UEM NW 13 S MG	S	16	M 24 x 1,5	20,5	30
UEM NW 16 S MG	S	20	M 30 x 2	24,0	36
UEM NW 20 S MG	S	25	M 36 x 2	27,0	46
UEM NW 25 S MG	S	30	M 42 x 2	29,0	50
UEM NW 32 S MG	S	38	M 52 x 2	32,5	60

Seriya: LL = veoma lagan L = lagan S = težak - PN = nazivni tlak PB = maks. radni tlak - Ø d2 = vanjski promjer cijevi

### Varijante proizvoda

UEM Preturna matica, Čelik

UEM VA Preturna matica, VA, Oplemenjeni čelik