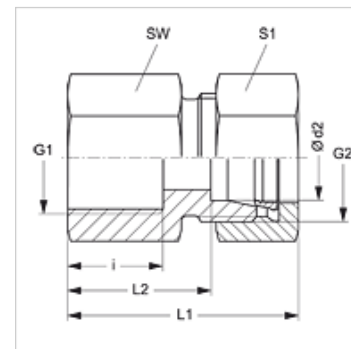


Karakteristike

Priključak 1	metrički unutarnji navoj, cilindrični
Oblik brtve 1	Profil A
Priključak 2	metrički vanjski navoji, cilindrični
Oblik brtve 2	24° unutarnji konus
Izvedba	Navrtni vijčani spoj
Oblik izrade	ravno
Norma	DIN 2353 ISO 8434-1
Opseg isporuke	Nastavak s pretornom maticom i narezanim prstenom
Materijal	Čelik
Površinska zaštita	galvanski premaz



Napomena

Upute za montažu, ugradnju, tlačno opterećenje i dopuštene radne temperature pronaći ćete u tehničkim informacijama za vijčane spojeve cijevi.

Artikli

Naziv	Serijska	Radni tlak bari	Ø d2 (mm)	G1	G2	i (mm)	L1 (mm)	L2 (mm)	SW (mm)	S1
GAM NW 04 HL	L	PN 315	6	M 10 x 1	M 12 x 1,5	12,5	34,5	19,5	14	14
GAM NW 04 HL 22	L	PN 315	6	M 22 x 1,5	M 12 x 1,5	12,0	35,0	20,0	27	14
GAM NW 06 HL	L	PN 315	8	M 12 x 1,5	M 14 x 1,5	17,5	39,0	24,0	17	17
GAM NW 06 HL 22	L	PN 315	8	M 22 x 1,5	M 14 x 1,5	12,0	35,0	20,0	27	17
GAM NW 08 HL	L	PN 315	10	M 14 x 1,5	M 16 x 1,5	17,0	40,0	25,0	19	19
GAM NW 08 HL 22	L	PN 315	10	M 22 x 1,5	M 16 x 1,5	12,0	36,0	21,0	27	19
GAM NW 10 HL	L	PN 315	12	M 16 x 1,5	M 18 x 1,5	17,0	41,0	26,0	22	22
GAM NW 10 HL 18	L	PN 315	12	M 18 x 1,5	M 18 x 1,5	17,0	41,0	26,0	22	22
GAM NW 10 HL 22	L	PN 315	12	M 22 x 1,5	M 18 x 1,5	12,0	36,0	21,0	27	22
GAM NW 13 HL	L	PN 315	15	M 18 x 1,5	M 22 x 1,5	17,0	42,0	27,0	24	27
GAM NW 13 HL 22	L	PN 315	15	M 22 x 1,5	M 22 x 1,5	17,0	42,0	27,0	24	27
GAM NW 16 HL	L	PN 315	18	M 22 x 1,5	M 26 x 1,5	19,0	45,0	28,5	27	32
GAM NW 20 HL	L	PN 160	22	M 26 x 1,5	M 30 x 2	21,0	50,0	33,5	32	36
GAM NW 25 HL	L	PN 160	28	M 33 x 2	M 36 x 2	24,0	53,0	36,5	41	41
GAM NW 32 HL	L	PN 160	35	M 42 x 2	M 45 x 2	26,0	60,0	38,5	50	50
GAM NW 40 HL	L	PN 160	42	M 48 x 2	M 52 x 2	28,0	63,0	40,0	55	60
GAM NW 03 HS	S	PN 400	6	M 12 x 1,5	M 14 x 1,5	17,0	41,0	26,0	17	17
GAM NW 04 HS	S	PN 400	8	M 14 x 1,5	M 16 x 1,5	17,0	41,0	26,0	19	19
GAM NW 06 HS	S	PN 400	10	M 16 x 1,5	M 18 x 1,5	17,0	43,0	26,5	22	22
GAM NW 08 HS	S	PN 400	12	M 18 x 1,5	M 20 x 1,5	17,0	43,0	26,5	24	24
GAM NW 10 HS	S	PN 400	14	M 20 x 1,5	M 22 x 1,5	19,0	49,0	31,0	27	27
GAM NW 13 HS	S	PN 400	16	M 22 x 1,5	M 24 x 1,5	19,0	49,0	30,5	30	30
GAM NW 16 HS	S	PN 315	20	M 27 x 2	M 30 x 2	22,0	56,0	34,5	36	36
GAM NW 20 HS	S	PN 315	25	M 33 x 2	M 36 x 2	24,0	61,0	37,0	41	46
GAM NW 25 HS	S	PN 315	30	M 42 x 2	M 42 x 2	26,0	68,0	41,5	55	60
GAM NW 32 HS	S	PN 250	38	M 48 x 2	M 52 x 2	28,0	74,0	43,0	60	60

Serijska: LL = veoma lagan L = lagan S = težak – PN = nazivni tlak PB = maks. radni tlak – Ø d2 = vanjski promjer cijevi

Varijante proizvoda

GAM VA	Navrtni vijčani spoj, Oplemenjeni čelik
XGAM	Navrtni vijčani spoj, Čelik