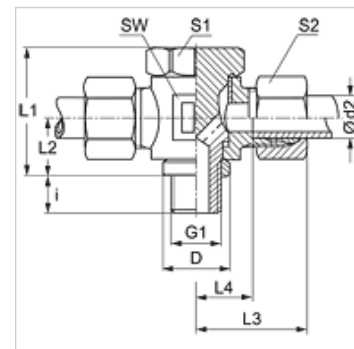


### Karakteristike

<b>Priključak 1</b>	metrički vanjski navoji, cilindrični
<b>Oblik brtve 1</b>	Četvrtasti brtveni prsten
<b>Priključak 2 + 3</b>	metrički vanjski navoji, cilindrični
<b>Oblik brtve 2 + 3</b>	24° unutarnji konus
<b>Izvedba</b>	Zakretni vijčani spojevi, bez prigušivanja
<b>Oblik izrade</b>	T oblik
<b>Opseg isporuke</b>	Nastavak s pretornom maticom i nareznom prstenom
<b>Materijal</b>	Čelik
<b>Površinska zaštita</b>	galvanski premaz



### Napomena

Upute za montažu, ugradnju, tlačno opterećenje i dopuštene radne temperature pronaći ćete u tehničkim informacijama za vijčane spojeve cijevi.

### Artikli

Naziv	Seriya	Radni tlak bari	Ø d2 (mm)	G1	D (mm)	i (mm)	L1 (mm)	L2 (mm)	L3 (mm)	L4 (mm)	SW (mm)	S1	S2
STM NW 04 HL	L	PN 250	6	M 10 x 1	14,0	8	24,0	10,5	27	12,0	17	17	14
STM NW 06 HL	L	PN 250	8	M 12 x 1,5	17,0	12	30,0	14,0	29	14,5	22	19	17
STM NW 08 HL	L	PN 250	10	M 14 x 1,5	19,0	12	30,0	14,0	30	15,5	22	19	19
STM NW 10 HL	L	PN 250	12	M 16 x 1,5	21,0	12	36,0	16,5	33	18,0	27	24	22
STM NW 13 HL	L	PN 250	15	M 18 x 1,5	23,0	12	39,5	18,5	36	20,5	30	27	27
STM NW 16 HL	L	PN 250	18	M 22 x 1,5	27,0	14	45,0	21,5	37	21,0	32	30	32
STM NW 20 HL	L	PN 160	22	M 26 x 1,5	31,0	16	53,0	24,0	44	27,5	41	36	36
STM NW 25 HL	L	PN 160	28	M 33 x 2	39,0	18	66,0	30,5	49	32,0	50	46	41
STM NW 32 HL	L	PN 160	35	M 42 x 2	49,0	20	76,0	35,5	58	36,0	60	55	50
STM NW 40 HL	L	PN 160	42	M 48 x 2	55,0	22	87,0	40,5	63	40,5	70	60	60
STM NW 03 HS	S	PN 315	6	M 12 x 1,5	17,0	12	30,0	14,0	31	16,5	22	19	17
STM NW 04 HS	S	PN 315	8	M 14 x 1,5	19,0	12	30,0	14,0	31	16,5	22	19	19
STM NW 06 HS	S	PN 315	10	M 16 x 1,5	21,0	12	36,0	16,5	35	18,5	27	24	22
STM NW 08 HS	S	PN 315	12	M 18 x 1,5	23,0	12	39,5	18,5	36	20,0	30	27	24
STM NW 10 HS	S	PN 315	14	M 20 x 1,5	25,0	14	43,5	20,0	40	22,5	32	30	27
STM NW 13 HS	S	PN 315	16	M 22 x 1,5	27,0	14	45,0	21,5	40	22,0	32	30	30
STM NW 16 HS	S	PN 160	20	M 27 x 2	32,0	16	53,0	24,0	48	26,5	41	36	36
STM NW 20 HS	S	PN 160	25	M 33 x 2	39,0	18	66,0	30,5	56	31,5	50	46	46
STM NW 25 HS	S	PN 160	30	M 42 x 2	49,0	20	76,0	35,5	64	37,0	60	55	50
STM NW 32 HS	S	PN 160	38	M 48 x 2	55,0	22	87,0	40,5	72	41,5	70	60	60

Seriya: LL = veoma lagan L = lagan S = težak – PN = nazivni tlak PB = maks. radni tlak – Ø d2 = vanjski promjer cijevi

### Varijante proizvoda

**XSTM** Zakretni vijčani spoj, bez prigušivanja, T oblik, Nastavak (bez pretorne matice i nareznog prstena)