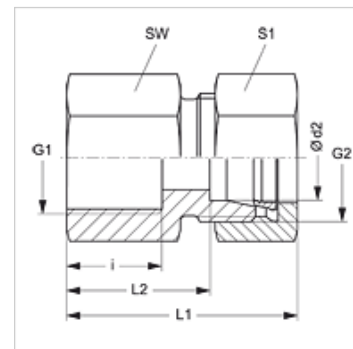


Karakteristike

Priključak 1	BSP unutarnji navoj, cilindrični
Oblik brtve 1	Profil A
Priključak 2	metrički vanjski navoji, cilindrični
Oblik brtve 2	24° unutarnji konus
Izvedba	Navrtni vijčani spoj
Oblik izrade	ravno
Norma	DIN 2353 ISO 8434-1
Opseg isporuke	Nastavak s pretornom maticom i narezanim prstenom
Materijal	Čelik
Površinska zaštita	galvanski premaz



Napomena

Upute za montažu, ugradnju, tlačno opterećenje i dopuštene radne temperature pronaći ćete u tehničkim informacijama za vijčane spojeve cijevi.

Artikli

Naziv	Serijska	Radni tlak bari	Ø d2 (mm)	G1	G2	i (mm)	L1 (mm)	L2 (mm)	SW (mm)	S1
GAR NW 04 HL	L	PN 315	6	G 1/8" - 28	M 12 x 1,5	12,0	34,0	19,0	14	14
GAR NW 04 HL 1/4	L	PN 315	6	G 1/4" - 19	M 12 x 1,5	12,0	34,0	19,0	14	14
GAR NW 04 HL 3/8	L	PN 315	6	G 3/8" - 19	M 12 x 1,5	12,0	36,0	21,0	22	14
GAR NW 06 HL	L	PN 315	8	G 1/4" - 19	M 14 x 1,5	17,0	39,0	24,0	19	17
GAR NW 06 HL 3/8	L	PN 315	8	G 3/8" - 19	M 14 x 1,5	17,0	36,0	21,0	22	17
GAR NW 06 HL 1/2	L	PN 315	8	G 1/2" - 14	M 14 x 1,5	20,0	44,0	29,0	27	17
GAR NW 08 HL	L	PN 315	10	G 1/4" - 19	M 16 x 1,5	17,0	40,0	25,0	19	19
GAR NW 08 HL 3/8	L	PN 315	10	G 3/8" - 19	M 16 x 1,5	17,0	40,0	26,0	22	19
GAR NW 08 HL 1/2	L	PN 315	10	G 1/2" - 14	M 16 x 1,5	20,0	45,0	30,0	27	19
GAR NW 10 HL 1/4	L	PN 315	12	G 1/4" - 19	M 18 x 1,5	17,0	41,0	25,0	19	22
GAR NW 10 HL	L	PN 315	12	G 3/8" - 19	M 18 x 1,5	17,0	41,0	26,0	22	22
GAR NW 10 HL 1/2	L	PN 315	12	G 1/2" - 14	M 18 x 1,5	20,0	44,0	30,0	27	22
GAR NW 13 HL 3/8	L	PN 315	15	G 3/8" - 19	M 22 x 1,5	17,0	46,0	27,0	24	27
GAR NW 13 HL	L	PN 315	15	G 1/2" - 14	M 22 x 1,5	20,0	45,0	30,0	27	27
GAR NW 16 HL	L	PN 315	18	G 1/2" - 14	M 26 x 1,5	20,0	46,0	29,5	27	32
GAR NW 20 HL	L	PN 160	22	G 3/4" - 14	M 30 x 2	22,0	51,0	34,5	32	36
GAR NW 25 HL	L	PN 160	28	G 1" - 11	M 36 x 2	24,5	53,5	37,0	41	41
GAR NW 32 HL	L	PN 160	35	G 1,1/4" - 11	M 45 x 2	26,5	60,5	39,0	50	50
GAR NW 40 HL	L	PN 160	42	G 1,1/2" - 11	M 52 x 2	28,5	63,5	40,5	55	60
GAR NW 03 HS	S	PN 400	6	G 1/4" - 19	M 14 x 1,5	17,0	41,0	26,0	19	17
GAR NW 04 HS	S	PN 400	8	G 1/4" - 19	M 16 x 1,5	17,0	41,0	26,0	19	19
GAR NW 06 HS	S	PN 400	10	G 3/8" - 19	M 18 x 1,5	17,0	42,0	26,5	24	22
GAR NW 08 HS	S	PN 400	12	G 3/8" - 19	M 20 x 1,5	17,0	42,0	26,5	24	24
GAR NW 10 HS	S	PN 400	14	G 1/2" - 14	M 22 x 1,5	20,0	50,0	32,0	27	27
GAR NW 13 HS	S	PN 400	16	G 1/2" - 14	M 24 x 1,5	20,0	50,0	31,5	27	30
GAR NW 16 HS	S	PN 315	20	G 3/4" - 14	M 30 x 2	22,0	56,0	34,5	36	36
GAR NW 20 HS	S	PN 315	25	G 1" - 11	M 36 x 2	24,5	61,5	37,5	41	46
GAR NW 25 HS	S	PN 315	30	G 1,1/4" - 11	M 42 x 2	26,5	68,5	42,0	50	50
GAR NW 32 HS	S	PN 250	38	G 1,1/2" - 11	M 52 x 2	28,5	74,5	43,5	60	60

Serijska: LL = veoma lagan L = lagan S = težak - PN = nazivni tlak PB = maks. radni tlak - Ø d2 = vanjski promjer cijevi

Varijante proizvoda

GAR MG	Navrtni vijčani spoj, Mjed
GAR VA	Navrtni vijčani spoj, Oplemenjeni čelik
XGAR	Navrtni vijčani spoj, Čelik