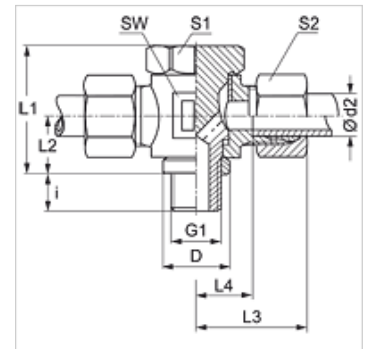


## Karakteristike

Priključak 1	BSP vanjski navoj, cilindrični
Oblik brtve 1	Četvrtasti brtveni prsten
Priključak 2 + 3	metrički vanjski navoji, cilindrični
Oblik brtve 2 + 3	24° unutarnji konus
Izvedba	Zakretni vijčani spojevi, bez prigušivanja
Oblik izrade	T oblik
Norma	DIN 3865
Opseg isporuke	Nastavak s pretornom maticom i narezim prstenom
Materijal	Čelik
Površinska zaštita	galvanski premaz



## Napomena

Upute za montažu, ugradnju, tlačno opterećenje i dopuštene radne temperature pronaći ćete u tehničkim informacijama za vijčane spojeve cijevi.

## Artikli

Naziv	Serija	Radni tlak bari	Ø d2 (mm)	G1	D (mm)	i (mm)	L1 (mm)	L2 (mm)	L3 (mm)	L4 (mm)	SW (mm)	S1	S2
STR NW 04 HL	L	PN 250	6	G 1/8" - 28	14,0	8	24	10,5	27	12,0	17	17	14
STR NW 06 HL	L	PN 250	8	G 1/4" - 19	18,0	12	30	14,0	29	14,5	22	19	17
STR NW 08 HL	L	PN 250	10	G 1/4" - 19	18,0	12	30	14,0	30	15,5	22	19	19
STR NW 10 HL	L	PN 250	12	G 3/8" - 19	22,0	12	36	16,5	33	18,0	27	24	22
STR NW 13 HL	L	PN 250	15	G 1/2" - 14	26,0	14	45	21,5	37	21,5	32	30	27
STR NW 16 HL	L	PN 250	18	G 1/2" - 14	26,5	14	45	21,5	37	21,0	32	30	32
STR NW 20 HL	L	PN 160	22	G 3/4" - 14	32,0	16	53	24,0	44	27,5	41	36	36
STR NW 25 HL	L	PN 160	28	G 1" - 11	39,0	18	66	30,5	49	32,0	50	46	41
STR NW 32 HL	L	PN 160	35	G 1,1/4" - 11	49,0	20	76	35,5	58	36,0	60	55	50
STR NW 40 HL	L	PN 160	42	G 1,1/2" - 11	55,0	22	87	40,5	63	40,5	70	60	60
STR NW 03 HS	S	PN 315	6	G 1/4" - 19	18,0	12	30	14,0	31	16,5	22	19	17
STR NW 04 HS	S	PN 315	8	G 1/4" - 19	18,0	12	30	14,0	31	16,5	22	19	19
STR NW 06 HS	S	PN 315	10	G 3/8" - 19	22,0	12	36	16,5	35	18,5	27	24	22
STR NW 08 HS	S	PN 315	12	G 3/8" - 19	22,0	12	36	16,5	35	18,5	27	24	24
STR NW 10 HS	S	PN 315	14	G 1/2" - 14	26,0	14	45	21,5	40	22,5	32	30	27
STR NW 13 HS	S	PN 315	16	G 1/2" - 14	26,0	14	45	21,5	40	22,0	32	30	30
STR NW 16 HS	S	PN 160	20	G 3/4" - 14	32,0	16	53	24,0	48	26,5	41	36	36
STR NW 20 HS	S	PN 160	25	G 1" - 11	39,0	18	66	30,5	56	31,5	50	46	46
STR NW 25 HS	S	PN 160	30	G 1,1/4" - 11	49,0	20	76	35,5	64	37,0	60	55	50
STR NW 32 HS	S	PN 160	38	G 1,1/2" - 11	55,0	22	87	40,5	72	41,5	70	60	60

Serija: LL = veoma lagan L = lagan S = težak - PN = nazivni tlak PB = maks. radni tlak - Ø d2 = vanjski promjer cijevi

## Varijante proizvoda

XSTR Zakretni vijčani spoj, bez prigušivanja, T oblik, Nastavak (bez pretorne matice i nareznog prstena)