

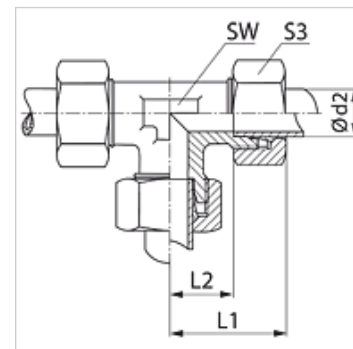
# T MG

Vijčani spoj, T oblik

**HANSA FLEX**

## Karakteristike

|                            |   |
|----------------------------|---|
| vodoravno Priključak 1 - 3 | metrički vanjski navoji, cilindrični              |
| Oblik brtve 1 - 3          | 24° unutarnji konus                               |
| Izvedba                    | Vijčani spoj                                      |
| Oblik izrade               | T oblik   |
| Norma                      | DIN 2353<br>ISO 8434-1                            |
| Opseg isporuke             | Nastavak s pretornom maticom i narezanim prstenom |
| Materijal                  | Mjed  |



## Artikli

| Naziv         | Seriya | Radni tlak bari | Ø d2 (mm) | L1 (mm) | L2 (mm) | SW (mm) | S3 |
|---------------|--------|-----------------|-----------|---------|---------|---------|----|
| T 04 LL MG    | LL     | PN 63           | 4         | 21      | 11,0    | 9       | 10 |
| T 06 LL MG    | LL     | PN 63           | 6         | 21      | 9,5     | 9       | 12 |
| T 08 LL MG    | LL     | PN 63           | 8         | 23      | 11,5    | 12      | 14 |
| T 10 LL MG    | LL     | PN 63           | 10        | 27      | 15,5    | 14      | 17 |
| T NW 04 HL MG | L      | PN 250          | 6         | 27      | 12,0    | 12      | 14 |
| T NW 06 HL MG | L      | PN 200          | 8         | 29      | 14,0    | 12      | 17 |
| T NW 08 HL MG | L      | PN 200          | 10        | 30      | 15,0    | 14      | 19 |
| T NW 10 HL MG | L      | PN 200          | 12        | 32      | 17,0    | 17      | 22 |
| T NW 13 HL MG | L      | PN 200          | 15        | 36      | 21,0    | 19      | 27 |
| T NW 16 HL MG | L      | PN 200          | 18        | 40      | 23,5    | 24      | 32 |
| T NW 20 HL MG | L      | PN 100          | 22        | 44      | 27,5    | 27      | 36 |
| T NW 25 HL MG | L      | PN 100          | 28        | 47      | 30,5    | 36      | 41 |
| T NW 32 HL MG | L      | PN 100          | 35        | 56      | 34,5    | 41      | 50 |
| T NW 40 HL MG | L      | PN 100          | 42        | 63      | 40,0    | 50      | 60 |
| T NW 03 HS MG | S      | PN 400          | 6         | 31      | 16,0    | 12      | 17 |
| T NW 04 HS MG | S      | PN 400          | 8         | 32      | 17,0    | 14      | 19 |
| T NW 06 HS MG | S      | PN 400          | 10        | 34      | 17,5    | 17      | 22 |
| T NW 08 HS MG | S      | PN 400          | 12        | 38      | 21,5    | 17      | 24 |
| T NW 10 HS MG | S      | PN 400          | 14        | 40      | 22,0    | 19      | 27 |
| T NW 13 HS MG | S      | PN 250          | 16        | 43      | 24,5    | 24      | 30 |
| T NW 16 HS MG | S      | PN 250          | 20        | 48      | 26,5    | 27      | 36 |
| T NW 20 HS MG | S      | PN 250          | 25        | 54      | 30,0    | 36      | 46 |
| T NW 25 HS MG | S      | PN 250          | 30        | 62      | 35,5    | 41      | 50 |
| T NW 32 HS MG | S      | PN 200          | 38        | 72      | 41,0    | 50      | 60 |

Seriya: LL = veoma lagan L = lagan S = težak - PN = nazivni tlak PB = maks. radni tlak - Ø d2 = vanjski promjer cijevi

## Varijante proizvoda

|      |  |
|------|--|
| T    | Vijčani spoj, T oblik, Čelik             |
| T VA | Vijčani spoj, T oblik, Oplemenjeni čelik |