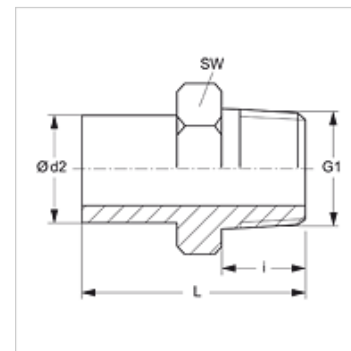


## Karakteristike

<b>Priključak 1</b>	NPT vanjski navoji
<b>Oblik brtve 1</b>	brtvljenje navoja
<b>Priključak 2</b>	Nastavak cijevi nije prethodno montiran
<b>Oblik brtve 2</b>	Spoj za narezni prsten
<b>Izvedba</b>	Uvrtni nastavci
<b>Oblik izrade</b>	ravno
<b>Norma</b>	DIN 2353 ISO 8434-1
<b>Opseg isporuke</b>	Nastavak (bez preturke matice i nareznog prstena)
<b>Materijal</b>	Oplemenjeni čelik



## Napomena

Upute za montažu, ugradnju, tlačno opterećenje i dopuštene radne temperature pronaći ćete u tehničkim informacijama za vijčane spojeve cijevi.

## Artikli

Naziv	Seriya	Radni tlak bari	Ø d2 (mm)	G1	i (mm)	L (mm)	SW (mm)
NVN NW 04 L VA	L	PN 315	6	1/8" -27 NPT	10,0	33,0	11
NVN NW 04 L 1/4 VA	L	PN 315	6	1/2" - 14 NPT	15,0	40,0	14
NVN NW 06 L VA	L	PN 315	8	1/4" - 18 NPT	15,0	39,0	14
NVN NW 08 L VA	L	PN 315	10	1/4" - 18 NPT	15,0	40,0	14
NVN NW 10 L 1/4 VA	L	PN 315	12	1/2" - 14 NPT	15,0	42,0	14
NVN NW 10 L VA	L	PN 315	12	3/8" - 18 NPT	15,0	44,5	19
NVN NW 10 L 1/2 VA	L	PN 315	12	1/2" - 14 NPT	20,0	50,0	22
NVN NW 13 L 3/8 VA	L	PN 315	15	3/8" - 18 NPT	15,3	48,0	19
NVN NW 13 L VA	L	PN 315	15	1/2" - 14 NPT	20,0	48,0	22
NVN NW 16 L VA	L	PN 315	18	1/2" - 14 NPT	20,0	49,0	22
NVN NW 20 L VA	L	PN 160	22	3/4" - 14 NPT	20,0	49,0	27
NVN NW 25 L VA	L	PN 160	28	1" -11,5 NPT	25,0	55,5	36
NVN NW 32 L VA	L	PN 160	35	1,1/4" - 11,5 NPT	26,0	63,0	46
NVN NW 40 L VA	L	PN 160	42	1,1/2" - 11,5 NPT	26,0	65,0	50
NVN NW 03 S VA	S	PN 630	6	1/4" - 18 NPT	15,0	40,0	14
NVN NW 04 S VA	S	PN 630	8	1/4" - 18 NPT	15,0	40,0	14
NVN NW 06 S 1/4 VA	S	PN 630	10	1/2" - 14 NPT	15,0	39,5	14
NVN NW 06 S VA	S	PN 630	10	3/8" - 18 NPT	15,0	44,0	19
NVN NW 08 S 1/4 VA	S	PN 630	12	1/2" - 14 NPT	15,0	42,0	14
NVN NW 08 S VA	S	PN 630	12	3/8" - 18 NPT	15,0	44,5	19
NVN NW 08 S 1/2 VA	S	PN 630	12	1/2" - 14 NPT	20,0	50,0	22
NVN NW 10 S VA	S	PN 630	14	1/2" - 14 NPT	20,0	53,5	22
NVN NW 13 S VA	S	PN 400	16	1/2" - 14 NPT	20,0	53,5	22
NVN NW 16 S VA	S	PN 400	20	3/4" - 14 NPT	20,0	58,0	27
NVN NW 20 S VA	S	PN 400	25	1" -11,5 NPT	25,0	68,5	36
NVN NW 25 S VA	S	PN 400	30	1,1/4" - 11,5 NPT	26,0	73,5	46
NVN NW 32 S VA	S	PN 315	38	1,1/2" - 11,5 NPT	26,0	78,0	50

Seriya: LL = veoma lagan L = lagan S = težak - PN = nazivni tlak PB = maks. radni tlak - Ø d2 = vanjski promjer cijevi

## Varijante proizvoda

NVN Uvrtni nastavci, Čelik

## Dodatni elementi

VOM Nastavci za predmontažu