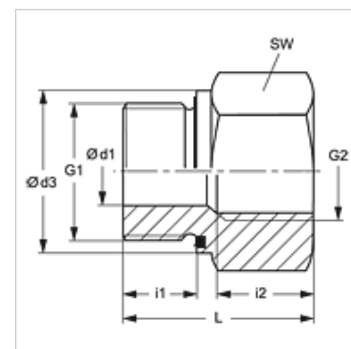


Karakteristike

Priključak 1	BSP vanjski navoj, cilindrični
Oblik brtve 1	Profil E
Priključak 2	BSP unutarnji navoj, cilindrični
Izvedba	Dvostazna redukcija
Oblik izrade	duga
Materijal	Čelik
Površinska zaštita	galvanski premaz



Napomena

Upute za montažu, ugradnju, tlačno opterećenje i dopuštene radne temperature pronaći ćete u tehničkim informacijama za vijčane spojeve cijevi.

Artikli

Naziv	Radni tlak bari	Ø d1 (mm)	G1	G2	Ø d3 (mm)	i1 (mm)	i2 (mm)	L (mm)	SW (mm)
RIL NW 03 06 ED	PN 400	4	G 1/8" - 28	G 1/4" - 19	13,9	8	17,0	31,0	19
RIL NW 03 10 ED	PN 400	4	G 1/8" - 28	G 3/8" - 19	13,9	8	17,0	32,0	24
RIL NW 06 03 ED	PN 400	5	G 1/4" - 19	G 1/8" - 28	18,9	12	12,0	28,0	19
RIL NW 06 10 ED	PN 400	5	G 1/4" - 19	G 3/8" - 19	18,9	12	17,0	36,0	24
RIL NW 06 13 ED	PN 400	5	G 1/4" - 19	G 1/2" - 14	18,9	12	20,0	40,0	27
RIL NW 06 20 ED	PN 400	5	G 1/4" - 19	G 3/4" - 14	18,9	12	22,0	43,0	36
RIL NW 10 06 ED	PN 400	8	G 3/8" - 19	G 1/4" - 19	21,9	12	17,0	36,0	22
RIL NW 10 13 ED	PN 400	8	G 3/8" - 19	G 1/2" - 14	21,9	12	20,0	41,0	27
RIL NW 10 20 ED	PN 315	8	G 3/8" - 19	G 3/4" - 14	21,9	12	22,0	44,0	36
RIL NW 13 10 ED	PN 400	12	G 1/2" - 14	G 3/8" - 19	26,9	14	17,0	36,0	27
RIL NW 13 20 ED	PN 315	12	G 1/2" - 14	G 3/4" - 14	26,9	14	22,0	46,0	36
RIL NW 13 25 ED	PN 315	12	G 1/2" - 14	G 1" - 11	26,9	14	24,5	49,0	41
RIL NW 13 32 ED	PN 315	10	G 1/2" - 14	G 1,1/4" - 11	26,9	14	26,5	53,0	55
RIL NW 20 13 ED	PN 315	16	G 3/4" - 14	G 1/2" - 14	31,9	16	20,0	41,0	32
RIL NW 20 25 ED	PN 315	16	G 3/4" - 14	G 1" - 11	31,9	16	24,5	51,0	41
RIL NW 20 32 ED	PN 315	16	G 3/4" - 14	G 1,1/4" - 11	31,9	16	26,5	55,0	55
RIL NW 20 40 ED	PN 250	16	G 3/4" - 14	G 1,1/2" - 11	31,9	16	28,5	57,0	60
RIL NW 25 20 ED	PN 315	20	G 1" - 11	G 3/4" - 14	39,9	18	22,0	47,0	41
RIL NW 25 32 ED	PN 315	20	G 1" - 11	G 1,1/4" - 11	39,9	18	26,5	57,0	55
RIL NW 25 40 ED	PN 250	20	G 1" - 11	G 1,1/2" - 11	39,9	18	28,5	59,0	60
RIL NW 32 25 ED	PN 315	25	G 1,1/4" - 11	G 1" - 11	49,9	20	24,5	52,0	50
RIL NW 32 40 ED	PN 250	25	G 1,1/4" - 11	G 1,1/2" - 11	49,9	20	28,5	60,0	60
RIL NW 40 32 ED	PN 250	32	G 1,1/2" - 11	G 1,1/4" - 11	54,9	22	26,5	58,0	55
RIL NW 50 40 ED	PN 160	40	G 2" - 11	G 1,1/2" - 11	69,9	24	28,5	65,5	70

PN = nazivni tlak PB = maks. radni tlak

Varijante proizvoda

RIL ED VA Dvostazna redukcija, duga, Oplemenjeni čelik

Rezervni dijelovi

WD Meka brtva za ED vijčane spojeve