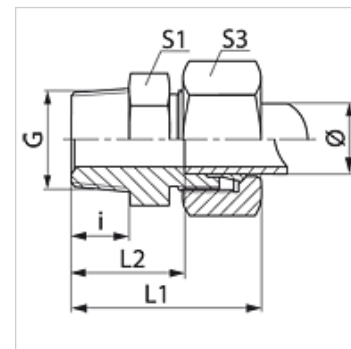


### Karakteristike

<b>Priključak 1</b>	NPT vanjski navoji
<b>Oblik brtve 1</b>	brtvljenje navoja
<b>Priključak 2</b>	metrički vanjski navoji, cilindrični
<b>Oblik brtve 2</b>	24° unutarnji konus
<b>Izvedba</b>	Uvrtni vijčani spoj
<b>Oblik izrade</b>	ravno
<b>Norma</b>	DIN 2353 ISO 8434-1
<b>Opseg isporuke</b>	Nastavak s pretornom maticom i narezanim prstenom
<b>Materijal</b>	Mjed



### Napomena

Upute za montažu, ugradnju, tlačno opterećenje i dopuštene radne temperature pronaći ćete u tehničkim informacijama za vijčane spojeve cijevi.

### Artikli

Naziv	Seriya	Radni tlak bari	Vanjski Ø cijevi (mm)	G	i (mm)	L1 (mm)	L2 (mm)	S1	S3
VN 06 LL MG	LL	PN 63	6	1/8" -27 NPT	10,0	28,0	16,5	11	12
VN 08 LL MG	LL	PN 63	8	1/8" -27 NPT	10,0	30,0	18,5	12	14
VN NW 04 HL MG	L	PN 200	6	1/8" -27 NPT	10,0	32,0	17,0	12	14
VN NW 04 HL 1/4 MG	L	PN 200	6	1/4" - 18 NPT	15,0	38,0	23,0	17	14
VN NW 04 HL 1/2 MG	L	PN 200	6	1/2" - 14 NPT	20,0	44,0	29,0	24	14
VN NW 06 HL MG	L	PN 200	8	1/4" - 18 NPT	15,0	38,0	23,0	17	17
VN NW 08 HL MG	L	PN 200	10	1/4" - 18 NPT	15,0	39,0	24,0	17	19
VN NW 10 HL 1/4 MG	L	PN 200	12	1/4" - 18 NPT	15,0	40,0	25,0	19	22
VN NW 10 HL MG	L	PN 200	12	3/8" - 18 NPT	15,5	40,0	25,0	19	22
VN NW 10 HL 1/2 MG	L	PN 200	12	1/2" - 14 NPT	20,0	45,0	30,0	24	22
VN NW 13 HL MG	L	PN 200	15	1/2" - 14 NPT	20,0	46,0	31,0	24	27
VN NW 16 HL MG	L	PN 200	18	1/2" - 14 NPT	20,0	48,0	31,5	27	32
VN NW 20 HL MG	L	PN 100	22	3/4" - 14 NPT	20,0	50,0	33,5	32	36
VN NW 25 HL MG	L	PN 100	28	1" -11,5 NPT	25,0	56,0	39,5	41	41
VN NW 03 HS MG	S	PN 400	6	1/4" - 18 NPT	15,0	43,0	28,0	17	17
VN NW 04 HS MG	S	PN 400	8	1/4" - 18 NPT	15,0	43,0	28,0	17	19
VN NW 04 HS 1/2 MG	S	PN 400	8	1/2" - 14 NPT	19,5	50,0	35,0	22	19
VN NW 06 HS MG	S	PN 400	10	3/8" - 18 NPT	15,5	44,0	27,5	19	22
VN NW 06 HS 1/2 MG	S	PN 400	10	1/2" - 14 NPT	20,0	51,0	34,5	24	22
VN NW 08 HS MG	S	PN 400	12	3/8" - 18 NPT	15,5	46,0	29,5	22	24
VN NW 08 HS 1/2 MG	S	PN 400	12	1/2" - 14 NPT	20,0	51,0	34,5	24	24
VN NW 10 HS MG	S	PN 400	14	1/2" - 14 NPT	20,0	54,0	36,0	24	27
VN NW 13 HS MG	S	PN 250	16	1/2" - 14 NPT	20,0	54,0	35,5	27	30
VN NW 16 HS MG	S	PN 250	20	3/4" - 14 NPT	20,0	59,0	37,5	32	36

PN = nazivni tlak PB = maks. radni tlak – Serija: LL = veoma lagan L = lagan S = težak – Ø = vanjski promjer cijevi

### Varijante proizvoda

<b>VN</b>	Uvrtni vijčani spoj, Čelik
<b>VN VA</b>	Uvrtni vijčani spoj, Oplemenjeni čelik